

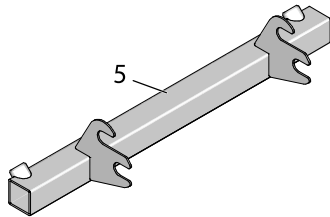
LazerGuide 2000

Mounting

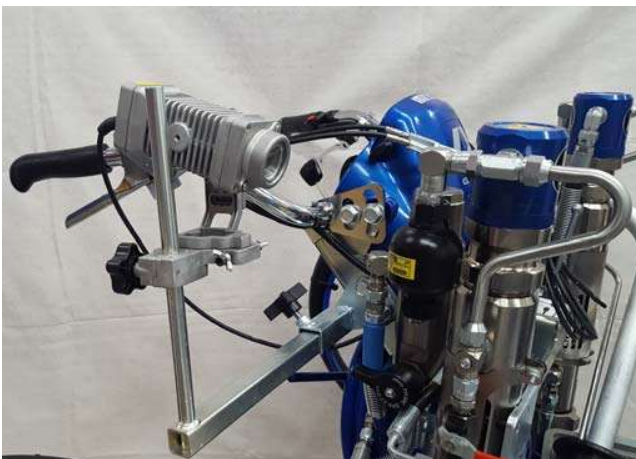
1. Loosen the four handlebar height adjustment bolts (3 turns). Do not remove completely as it will be difficult to replace the bolts.



2. Slide new bracket (5) over loosened bolts and securely retighten bolts.



3. Install LazerGuide 2000 as shown below.



Recommended Battery Location (if applicable)

NOTICE

Do not operate the LazerGuide 2000 directly from a generator source as doing so can create over voltage to the laser and damage the electronics.

Bolt the 12V DC battery kit to the machine's existing plate using supplied 1/4-20 hardware.

NOTE: Some machines will require different mounting locations.

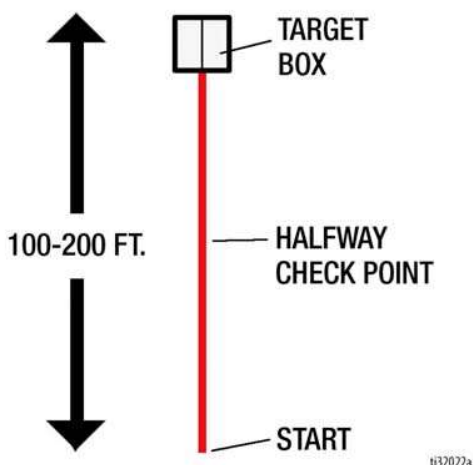
LL3400 shown:



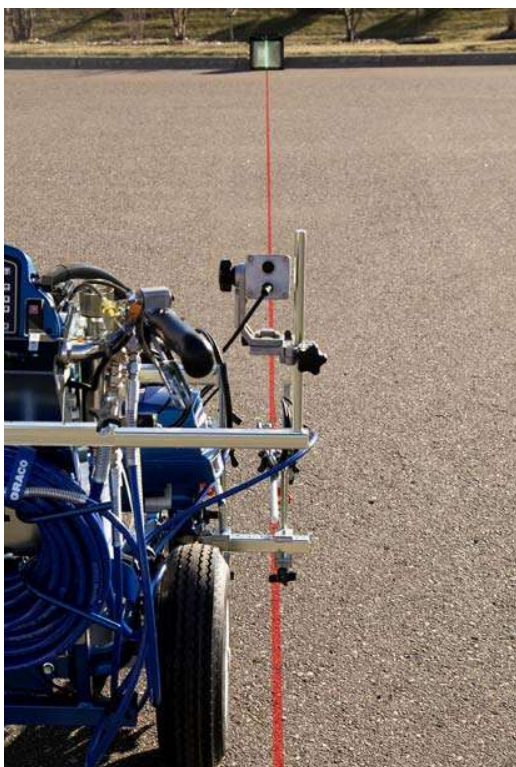
Calibrating

The procedure may take a few attempts until properly aligned. Calibration only has to be performed periodically. Use this procedure for front or rear mounted laser. Also applies to auto-layout series.

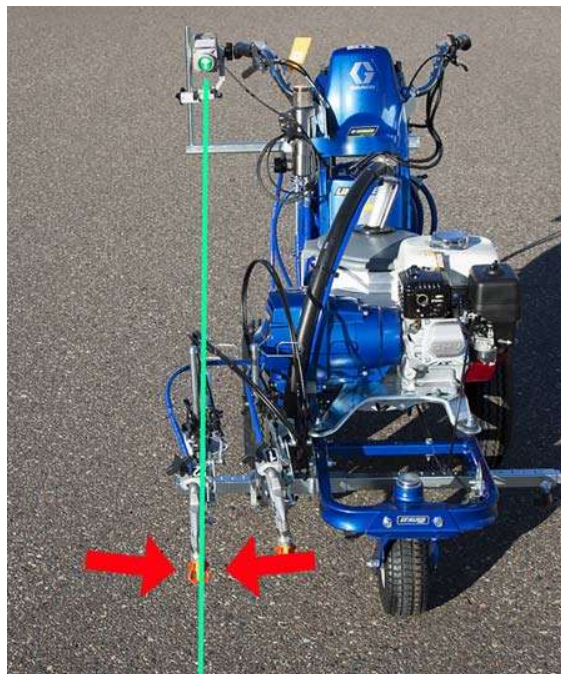
1. **Find an existing long straight line such as a curb or a previously striped line.** Mark halfway point and set the target box at far end.



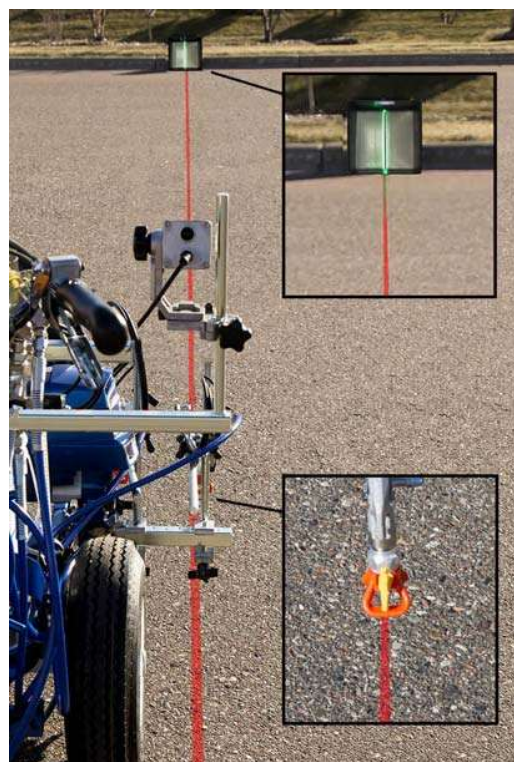
2. At the starting point, make sure your striper frame is true to your reference line by pushing the machine about 10 feet while keeping the spray nozzle over or parallel with the line. Make sure the laser is level, then adjust the laser left-right until it is centered in the target box at the far end.



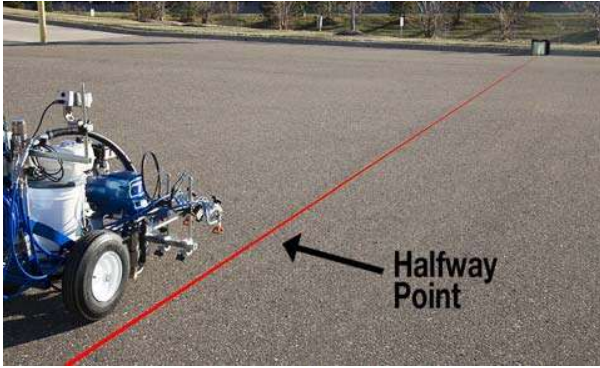
3. Tilt laser downward and swing **spray gun left or right** until it is in line with the laser. Adjust laser back to upward position.



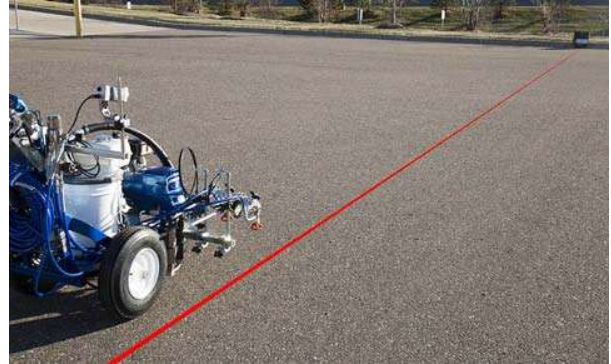
4. Position spray nozzle directly over reference line and maneuver machine left-right until laser is centered in target box at the far end. Make sure spray nozzle is centered over line.



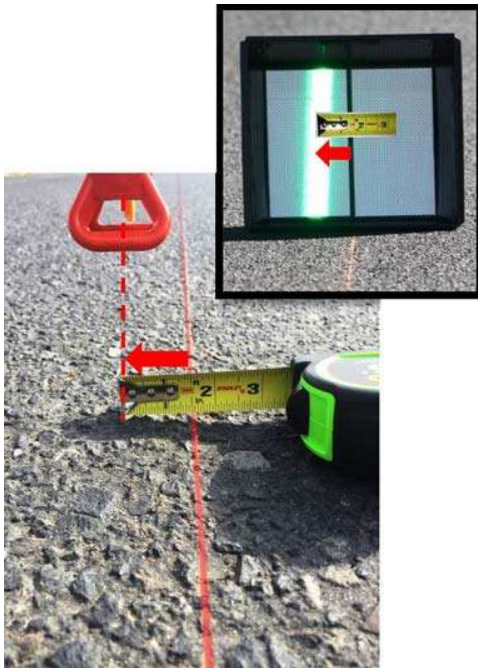
5. Walk towards target box while keeping the laser centered in the target box at the far end. Look only at the target NOT at the spray nozzle. Stop at halfway point and check the position of the spray nozzle relative to the line.



7. Go back to the starting point and center the laser in the target box with the spray nozzle directly over the line. Walk to the halfway point keeping the laser centered on the target. If the laser is centered in the target and the spray nozzle is over the reference line, you are calibrated. If not, repeat step 6.



6. If the spray nozzle is to the left of the reference line by 1 1/2", for example, adjust the laser using the fine-line adjustment screws 1 1/2" to the left of the center line (same distance to the same side on the target box).



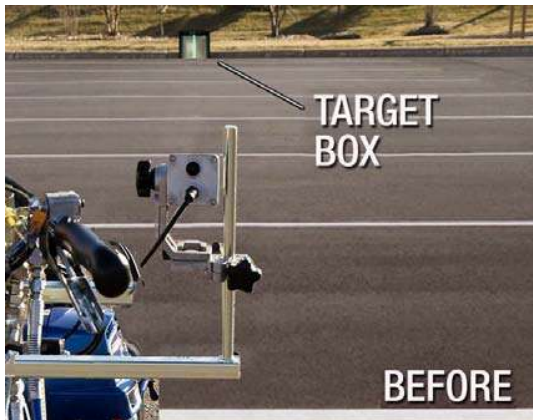
Using the Laser

You need two points. A starting point to position the spray nozzle over and an ending point to stripe to.

Day Use

For day operation, the target box is placed at the far point of your stripe to line (use two target boxes at either end for quicker operation). You will not see the green line along the surface you are striping during the day, but you will see the line on the target at the far end up to several hundred feet away.

1. Place reflective target box at your ending point (up to 700 feet).
2. Position spray nozzle with laser over your starting point.
3. Slightly loosen vertical adjustment knob and rotate LazerGuide 2000 up or down until the laser stripe on the far target is the brightest. Lock vertical adjustment knob.
4. Start striping while keeping laser in the center of the target box. Keep your eyes on the target, NOT on the spray nozzle.



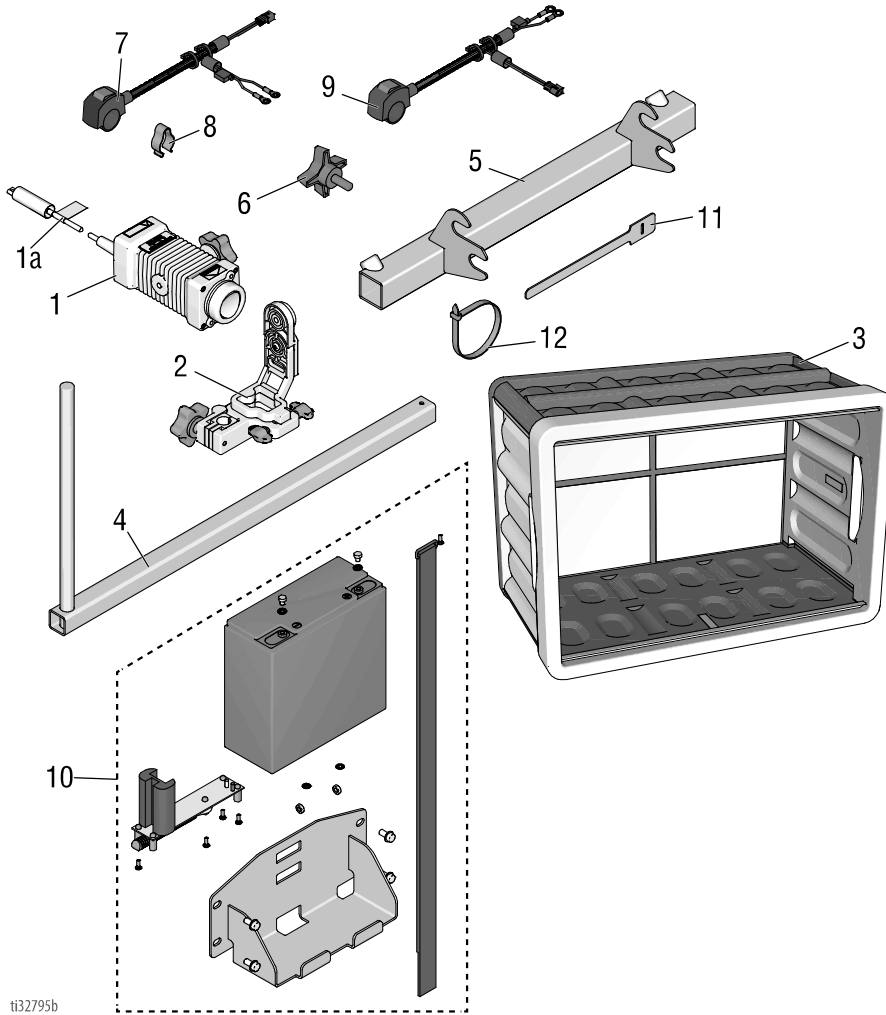
Night Use

For night operation, the target box is optional since you can see the bright green line on the surface you are striping. However, the target is useful for longer runs as a visual tool to determine the end of the run.

1. Turn laser on. Position spray nozzle with laser over your starting point.
2. Use the laser as your string line to connect the starting point to the ending point.
3. Optional: Use the reflective target box for long distance lines.



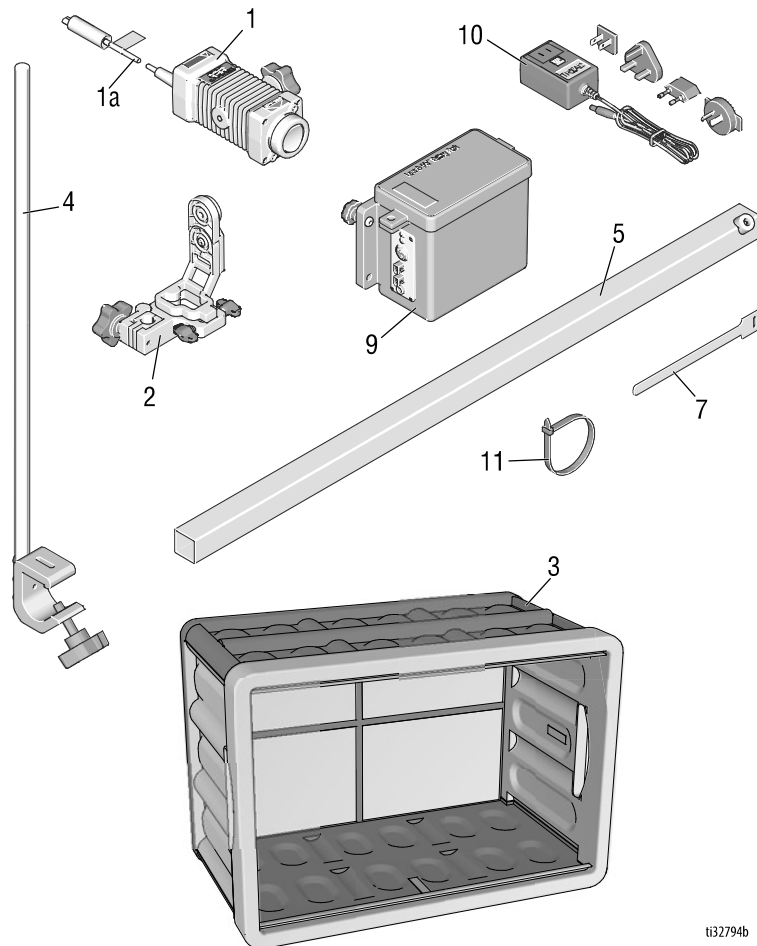
Parts - 17T540, 17T541 & 17T543



ti32795b

Ref	Part	Description	Qty	Ref	Part	Description	Qty
1	17T534	LASER, LazerGuide 2000 (includes 1a)	1	7	17H713	SWITCH, on/off laser (17T540 & 17T541)	1
1a	17Z042	KIT, cable, LazerGuide 2000	1	8	178342	CLIP, spring	2
2	17T535	MOUNT, laser	1	9	17P947	SWITCH, on/off laser (17T543)	1
3	17T536	BOX, target	1	10	25A526	KIT, battery, 12 V (includes charger board) (17T541)	1
4	287453	BRACKET, support	1	11	128854	STRAP, cable velcro	1
5	17Y651	BRACKET, mount	1	12	404989	STRAP, tie	4
6	111145	KNOB, pronged	1				

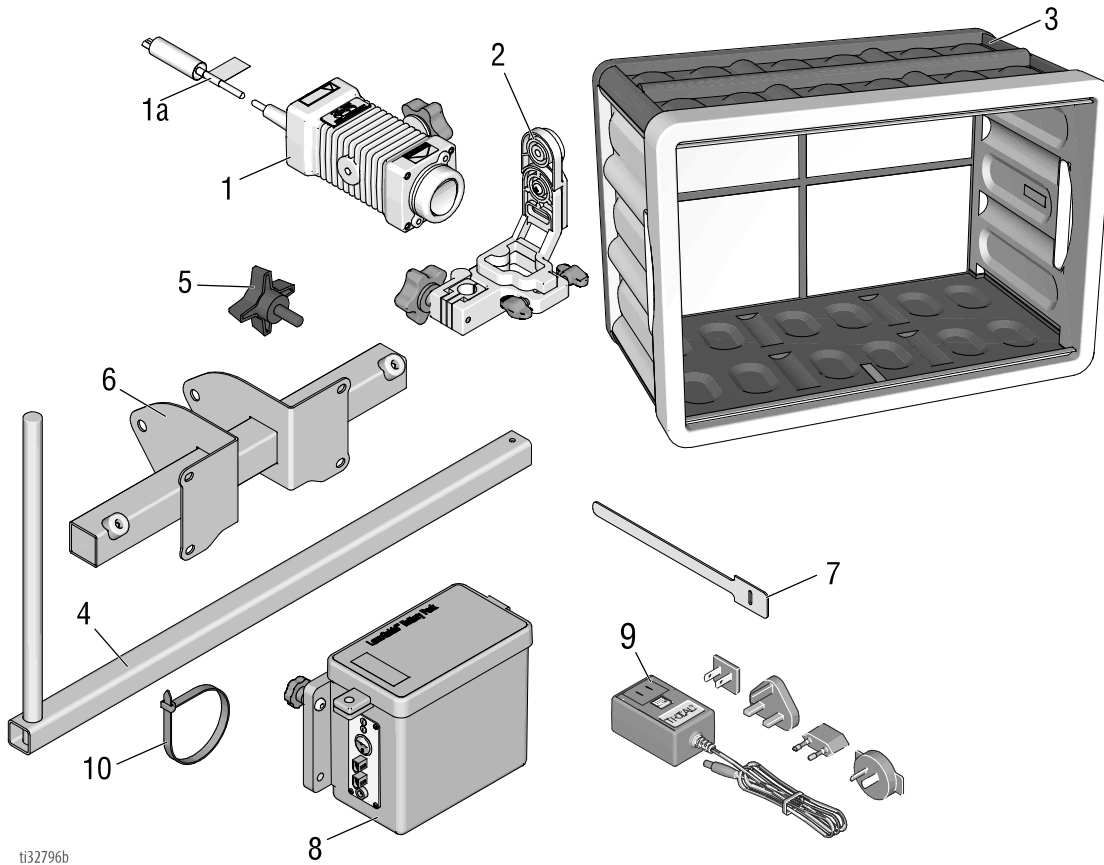
Parts - 17T544 and 17T545



ti32794b

Ref	Part	Description	Qty	Ref	Part	Description	Qty
1	17T534	LASER, LazerGuide 2000 (includes 1a)	1	5	17J407	ARM, extension, gun support	1
1a	17Z042	KIT, cable, LazerGuide2000	1	7	128854	STRAP, cable velcro	1
2	17T535	MOUNT, laser	1	9	17T408	KIT, battery, 12V	1
3	17T536	BOX, target	1	10	17V737	CHARGER, battery, 12V	1
4	17T398	MOUNT, g-clamp	1	11	404989	STRAP, tie	1

Parts - 17U799 and 17U800

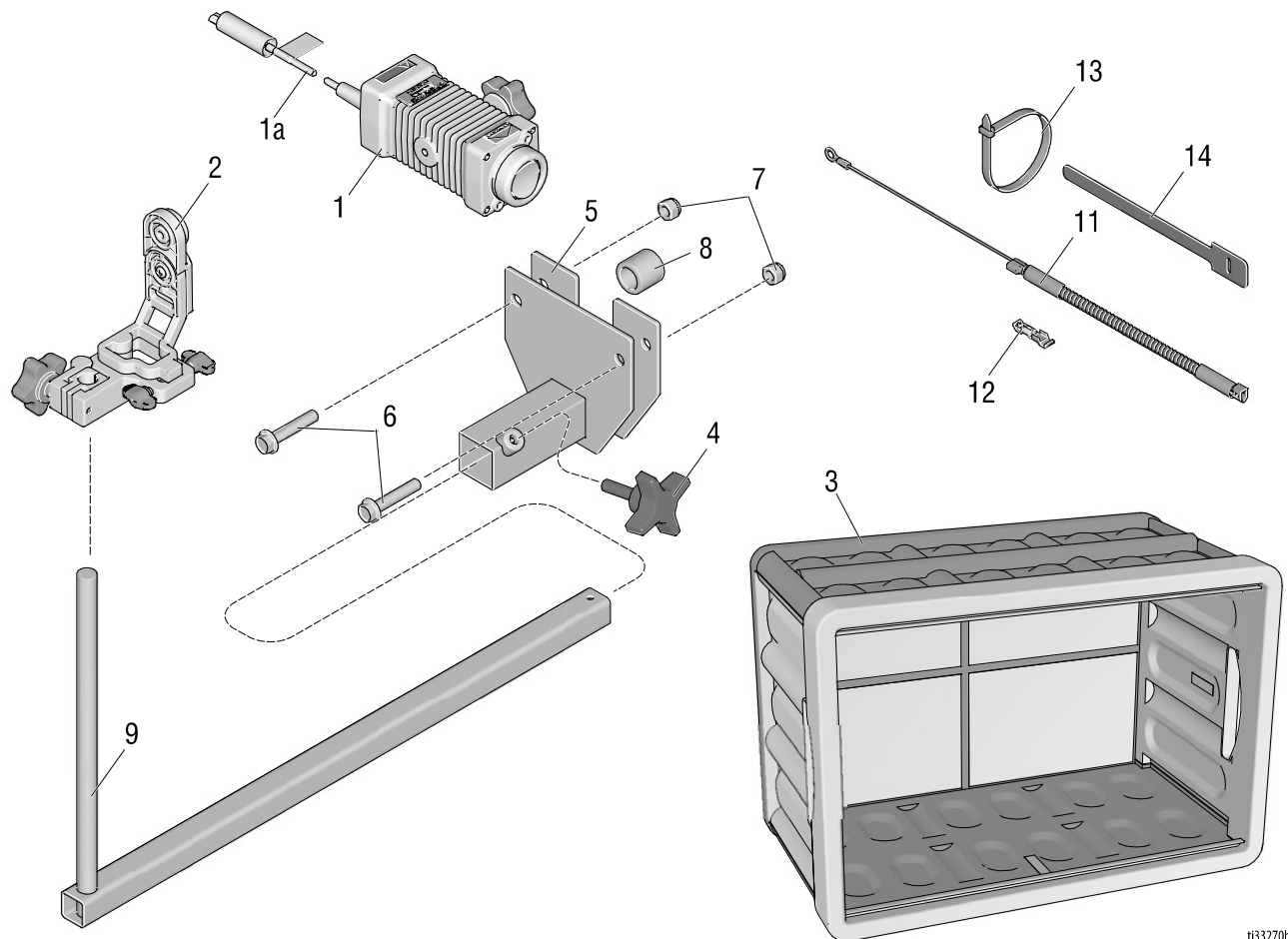


ti32796b

Ref	Part	Description	Qty
1	17T534	LASER, LazerGuide 2000 (includes 1a)	1
1a	17Z042	KIT, cable, LazerGuide 2000	1
2	17T535	MOUNT, laser	1
3	17T536	BOX, target	1
4	287453	BRACKET, support	1
5	111145	KNOB, pronged	1

Ref	Part	Description	Qty
6	17U801	BRACKET, battery	1
7	128854	STRAP, cable velcro	1
8	17T408	KIT, battery, 12V	1
9	17V737	CHARGER, battery, 12V (17U800 model only)	1
10	404989	STRAP, tie	1

Parts - 17W270



t133270b

Ref	Part	Description	Qty
1	17T534	LASER, LazerGuide 2000 (includes 1a)	1
1a	17Z042	KIT, cable, LazerGuide2000	1
2	17T535	MOUNT, laser	1
3	17T536	BOX, target	1
4	108471	KNOB, pronged	1
5	17H528	BRACKET, gun arm	1
6	114982	SCREW, cap, flng hd	2
7	101566	NUT, lock	2
8	193658	SPACER, seal	1
9	287453	BRACKET, support, extension	1
11	131389	CONDUCTOR, electrical, jumper	1
12	15B187	CONNECTOR, wire tap	1
13	404989	STRAP, tie	4
14	128854	STRAP, cable, velcro	2

Kit is designed for mounting on existing Pressure Bead System. Alternative mountings require additional parts to be ordered:

- For gun arm mount (low mount), order item 17T398.

- For bead bracket mount (high mount), order right bead tank bracket 16T697, bolt 111194 (2x) and nut 101566 (2x).