

Bead Gun Kit for LL250_{SPS} and LL200_{HS/DC/MMA} Pressurized Bead System

332226E

EN

For professional use only.

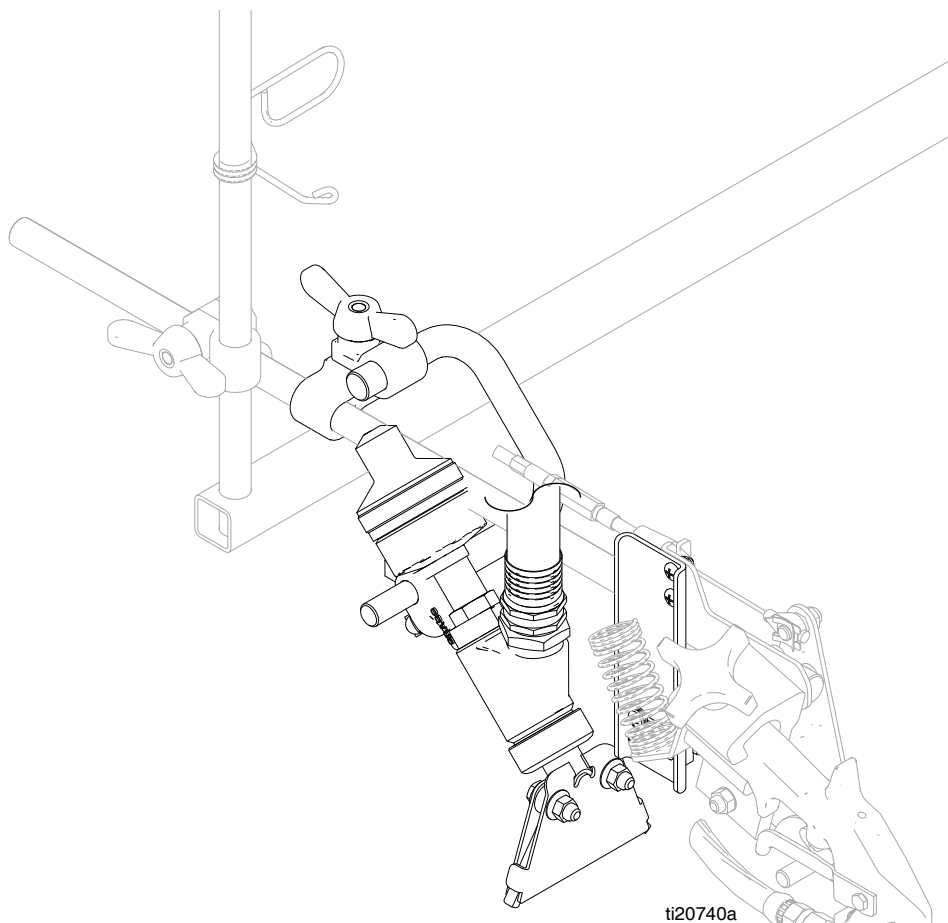
Model 16R963

psi (MPa, bar) Maximum Working Pressure



Important Safety Instructions

Read all warnings and instructions in the bead system and striper manual.
Be familiar with the controls and the proper usage of the equipment.
Save these instructions.



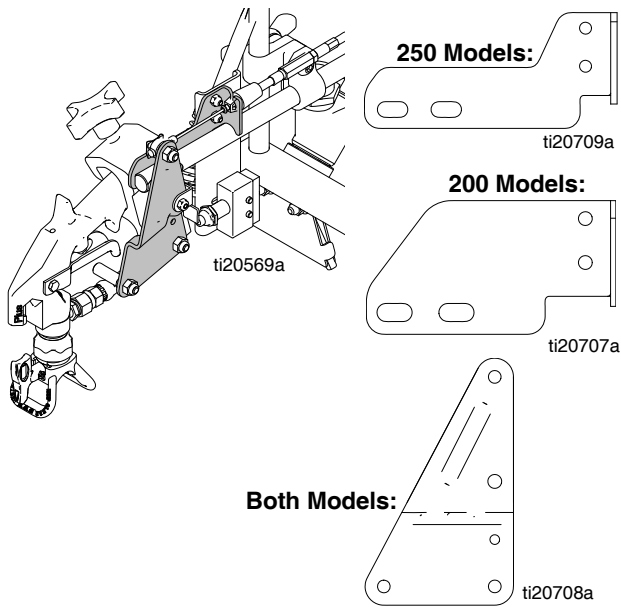
Tools Needed:

Tools Needed:

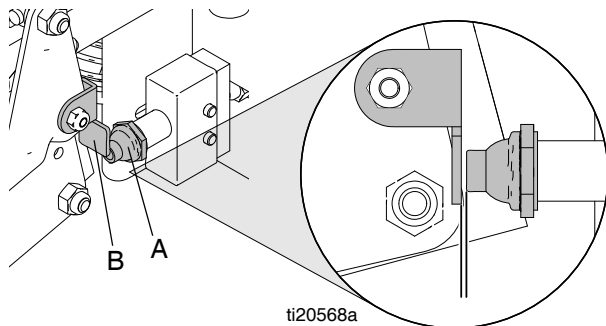
- Wrench
- Adjustable Wrench
- Phillips Screwdriver
- Cutting Blade

Gun Kit Assembly 16R963

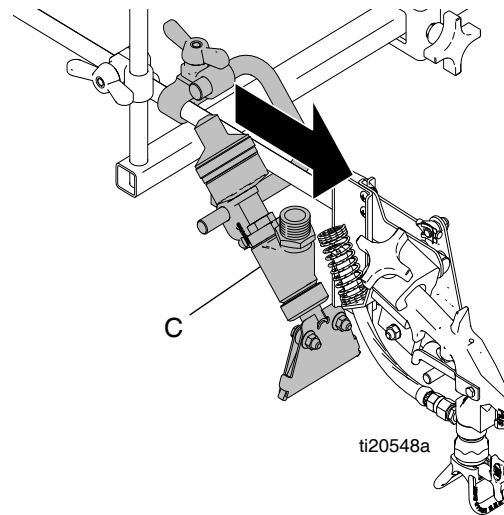
1. If needed, configure unit gun assembly with gun arm brackets included in Retro-fit Kit.



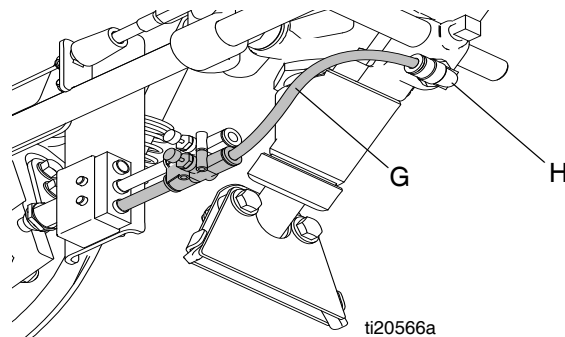
2. See **Parts** diagram to assemble bead gun accessory parts, page 5.
3. Position air switch button (A) begins to touch bracket (B) when trigger is in neutral position. Tighten hardware. **NOTE:** The gap between air switch button (A) and bracket (B) should be .02 in. (0.5 mm).



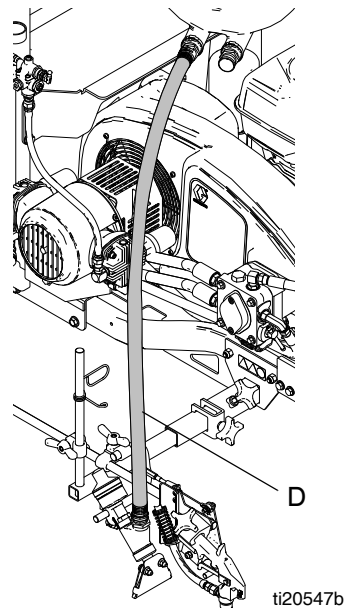
4. Slide bead gun assembly (C) so bead outlet is horizontally level with paint tip guard and as close to paint outlet as possible.



5. Install 10 in. air line (G) and push into bottom valve. Push other end into 90° air line fitting (H) on bead gun.

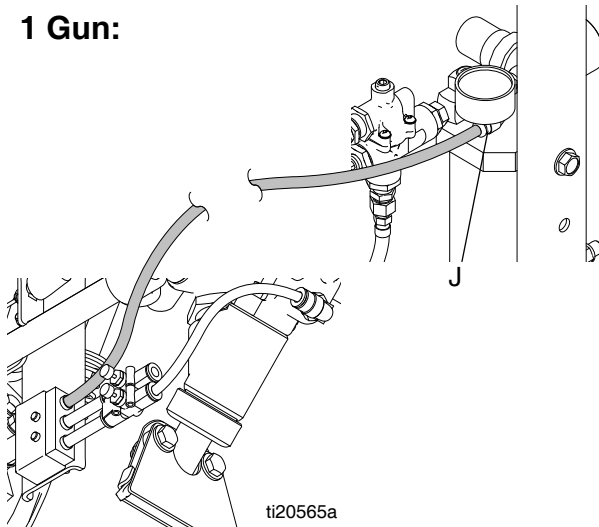


6. Connect bead hose (D) from gun to bead hopper.

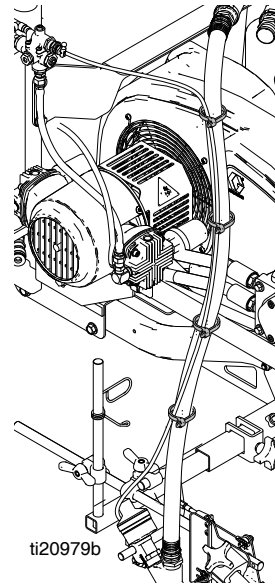


7. Push one end of remaining air line into top hole on air switch and run along bead hose to tank and then route and push into elbow fitting (J) on air tank.

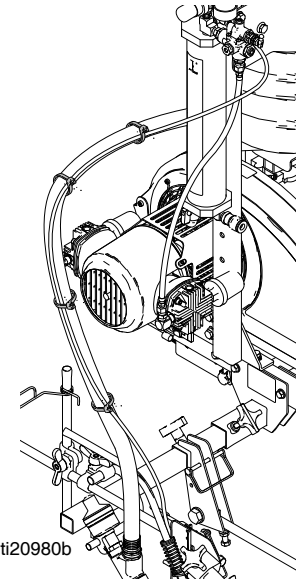
1 Gun:



8. Zip tie air and bead hoses together with supplied ties.

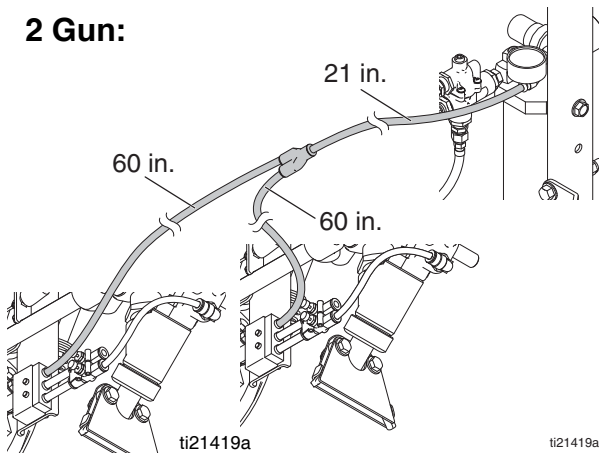


250 Models

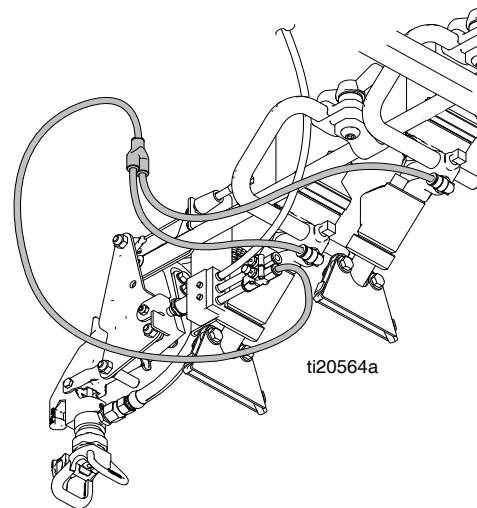


200 Models

2 Gun:

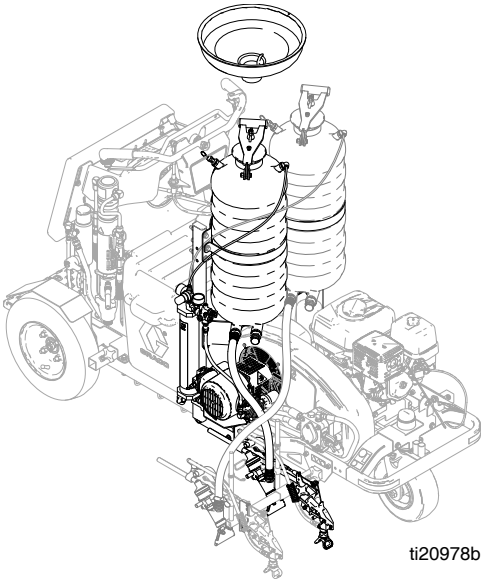
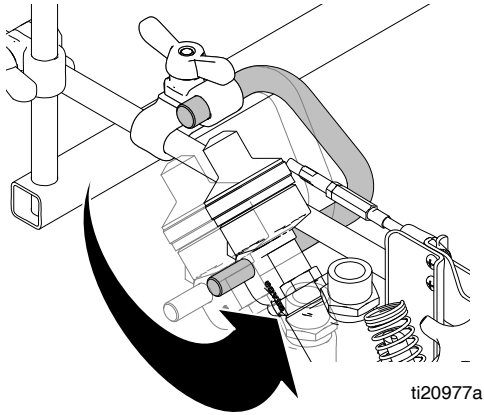


9. A "Y" fitting can be used to create a dual bead gun set up for double drop beads. Splice exit hose on bottom of air switch and branch into both guns.



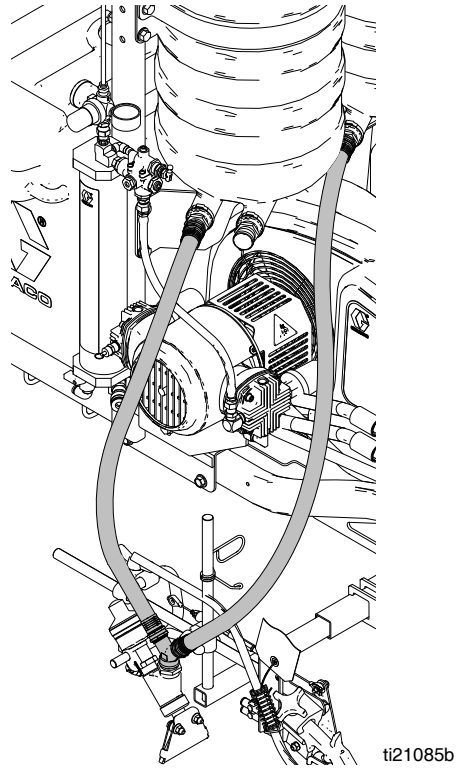
0 to 8 in. Line Setup

For wider lines it may be necessary to mount bead gun as shown below.



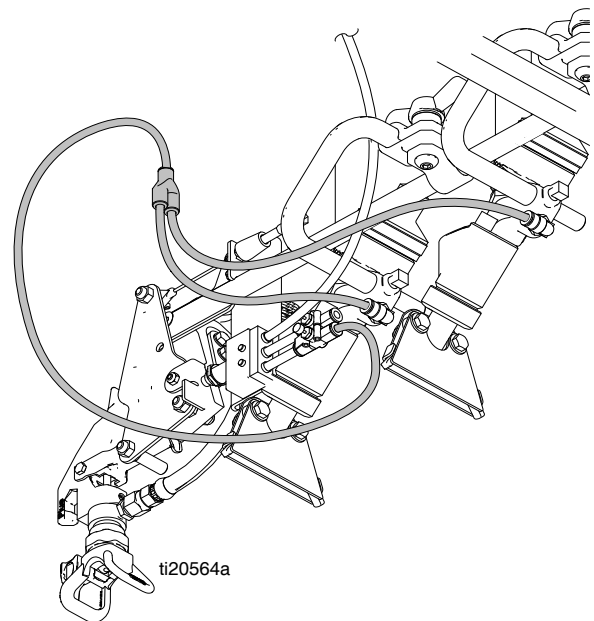
2 Tank 1 Gun Setup

Connect "Y" fitting as shown below to allow two tanks to flow into one gun.

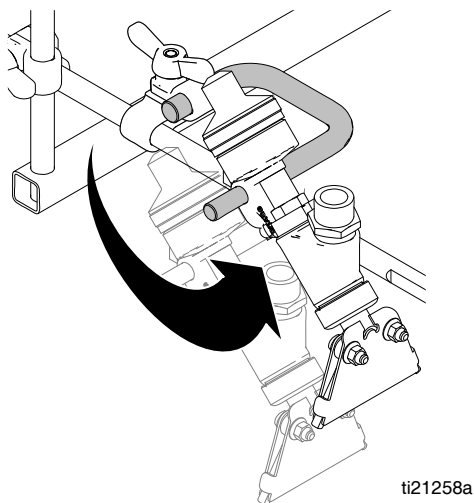


Double Drop Setup

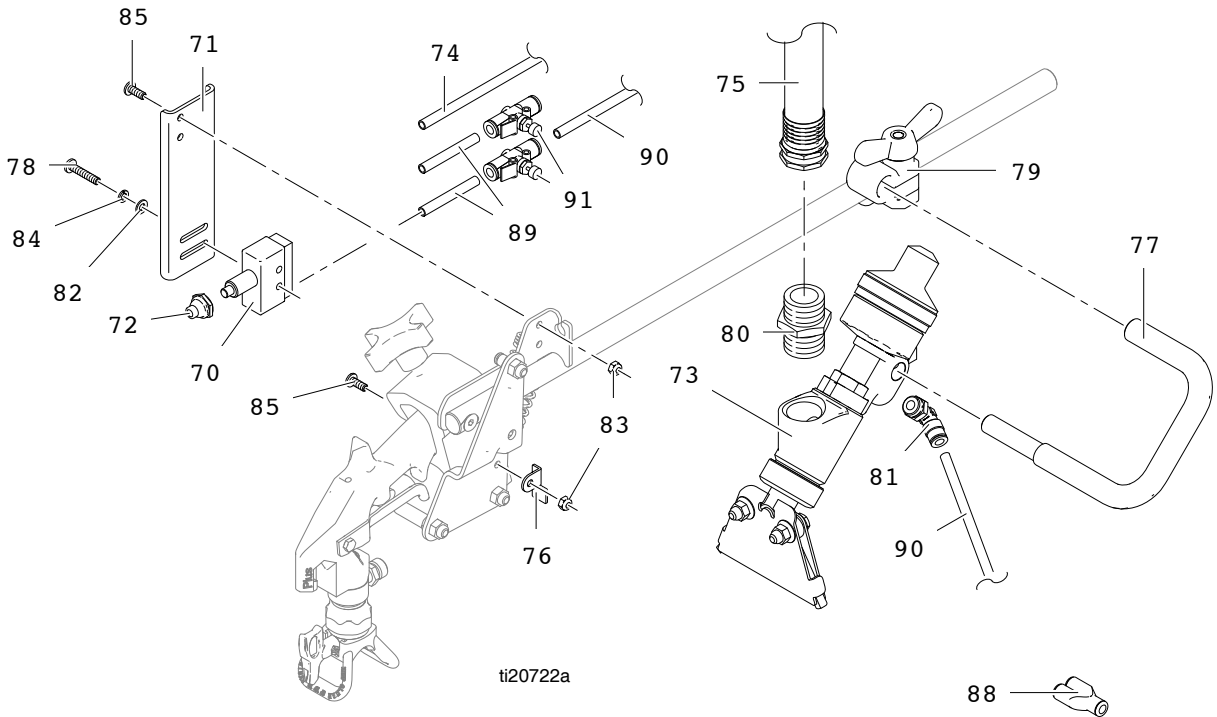
Use a "Y" fitting to create a dual bead gun setup for double drop beads. Splice exit hose on bottom of air switch and branch into both guns.



8 - 12 in. Line Setup



Parts



Parts List

Ref.	Part	Description	Qty	Ref.	Part	Description	Qty
70	16T646	SWITCH, air	1	81	114109	FITTING, elbow, male, swivel	1
71	16T804	BRACKET, switch, air	1	82	116876	WASHER, flat	2
72	16T771	BOOT, button, push	1	83	115483	NUT, lock	3
73	238338	GUN, spray, bead	1	84	100020	WASHER, lock	2
74	16U274	HOSE, pneumatic	1	85	116610	SCREW, mach, phil, pan, #10	3
75	16T829	HOSE, bead, 3/4 in., clear	1	86	103473	STRAP, tie, wire	5
76	16T816	BRACKET, switch, air	1	87	238665	KIT, repair	1
77	16T803	ARM, gun	1	88	115287	FITTING, Y tube	1
78	104387	SCREW, mach pnh	2	89	16V047	HOSE, pneumatic	2
79	24Y645	KIT, clamp	1	90	190010	HOSE, pneumatic	1
80	111834	NIPPLE, pipe, hex	1	91	16V046	RESTRICTOR, air flow, adjustable	2

Graco Standard Warranty

Graco warrants all equipment referenced in this document which is manufactured by Graco and bearing its name to be free from defects in material and workmanship on the date of sale to the original purchaser for use. With the exception of any special, extended, or limited warranty published by Graco, Graco will, for a period of twelve months from the date of sale, repair or replace any part of the equipment determined by Graco to be defective. This warranty applies only when the equipment is installed, operated and maintained in accordance with Graco's written recommendations.

This warranty does not cover, and Graco shall not be liable for general wear and tear, or any malfunction, damage or wear caused by faulty installation, misapplication, abrasion, corrosion, inadequate or improper maintenance, negligence, accident, tampering, or substitution of non-Graco component parts. Nor shall Graco be liable for malfunction, damage or wear caused by the incompatibility of Graco equipment with structures, accessories, equipment or materials not supplied by Graco, or the improper design, manufacture, installation, operation or maintenance of structures, accessories, equipment or materials not supplied by Graco.

This warranty is conditioned upon the prepaid return of the equipment claimed to be defective to an authorized Graco distributor for verification of the claimed defect. If the claimed defect is verified, Graco will repair or replace free of charge any defective parts. The equipment will be returned to the original purchaser transportation prepaid. If inspection of the equipment does not disclose any defect in material or workmanship, repairs will be made at a reasonable charge, which charges may include the costs of parts, labor, and transportation.

THIS WARRANTY IS EXCLUSIVE, AND IS IN LIEU OF ANY OTHER WARRANTIES, EXPRESS OR IMPLIED, INCLUDING BUT NOT LIMITED TO WARRANTY OF MERCHANTABILITY OR WARRANTY OF FITNESS FOR A PARTICULAR PURPOSE.

Graco's sole obligation and buyer's sole remedy for any breach of warranty shall be as set forth above. The buyer agrees that no other remedy (including, but not limited to, incidental or consequential damages for lost profits, lost sales, injury to person or property, or any other incidental or consequential loss) shall be available. Any action for breach of warranty must be brought within two (2) years of the date of sale.

GRACO MAKES NO WARRANTY, AND DISCLAIMS ALL IMPLIED WARRANTIES OF MERCHANTABILITY AND FITNESS FOR A PARTICULAR PURPOSE, IN CONNECTION WITH ACCESSORIES, EQUIPMENT, MATERIALS OR COMPONENTS SOLD BUT NOT MANUFACTURED BY GRACO. These items sold, but not manufactured by Graco (such as electric motors, switches, hose, etc.), are subject to the warranty, if any, of their manufacturer. Graco will provide purchaser with reasonable assistance in making any claim for breach of these warranties.

In no event will Graco be liable for indirect, incidental, special or consequential damages resulting from Graco supplying equipment hereunder, or the furnishing, performance, or use of any products or other goods sold hereto, whether due to a breach of contract, breach of warranty, the negligence of Graco, or otherwise.

FOR GRACO CANADA CUSTOMERS

The Parties acknowledge that they have required that the present document, as well as all documents, notices and legal proceedings entered into, given or instituted pursuant hereto or relating directly or indirectly hereto, be drawn up in English. Les parties reconnaissent avoir convenu que la rédaction du présente document sera en Anglais, ainsi que tous documents, avis et procédures judiciaires exécutés, donnés ou intentés, à la suite de ou en rapport, directement ou indirectement, avec les procédures concernées.

Graco Information

For the latest information about Graco products, visit www.graco.com.

For patent information, see www.graco.com/patents.

TO PLACE AN ORDER, contact your Graco distributor or call 1-800-690-2894 to identify the nearest distributor.

*All written and visual data contained in this document reflects the latest product information available at the time of publication.
Graco reserves the right to make changes at any time without notice.*

For patent information, see www.graco.com/patents.

Original instructions. This manual contains English. MM 332226

Graco Headquarters: Minneapolis
International Offices: Belgium, China, Japan, Korea

GRACO INC. AND SUBSIDIARIES • P.O. BOX 1441 • MINNEAPOLIS MN 55440-1441 • USA

Copyright 2012, Graco Inc. All Graco manufacturing locations are registered to ISO 9001.

www.graco.com

Revision E, May 2019