

RoadLazer™ RoadPak™ & RoadPak™ HD Line Striping System

3A5386B

EN

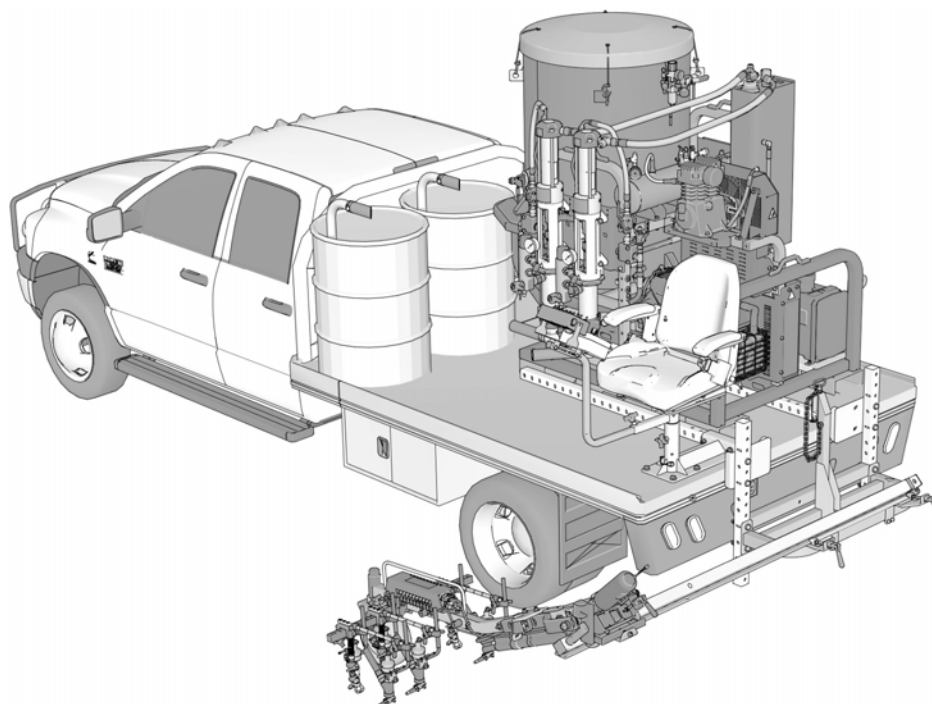
For the Application of Road Marking and Reflective Coatings. For Professional Use Only



Important Safety Instructions

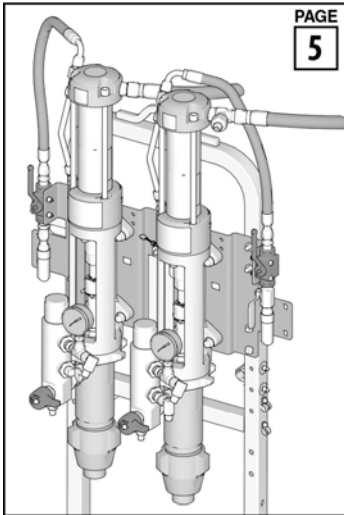
Read all warnings and instructions in this manual and in related manuals.
Be familiar with the controls and the proper usage of the equipment.
Save these instructions.

Related Manuals:	
3A5384	Installation & Operation
3A5385	Repair

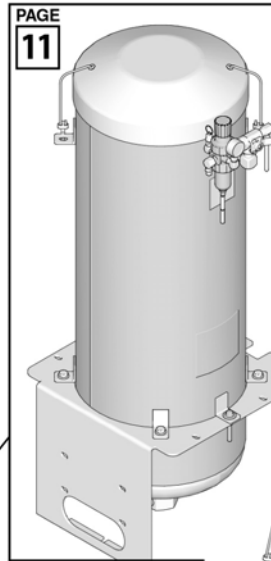


Contents - RoadPak 25M701, 25M702*, 25M703, 25M704, 25M705*

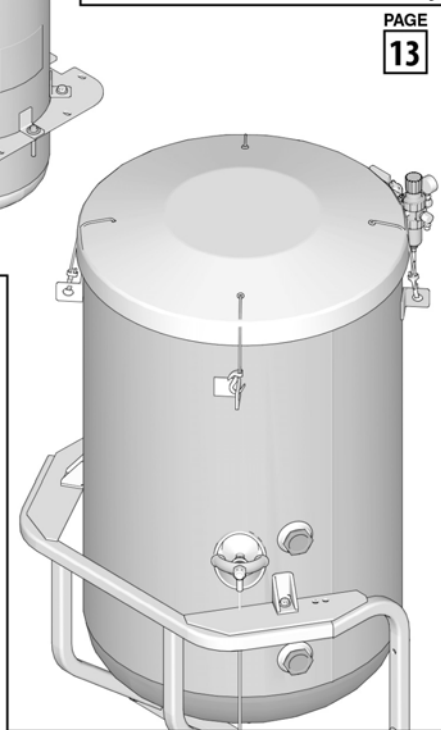
Pump Assembly



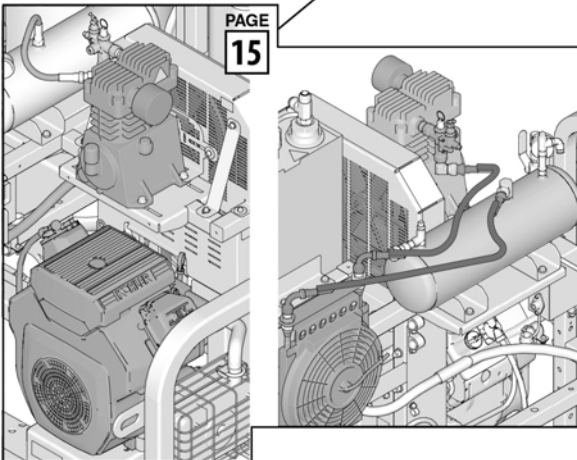
**450 lb.
Bead Tank Assembly**



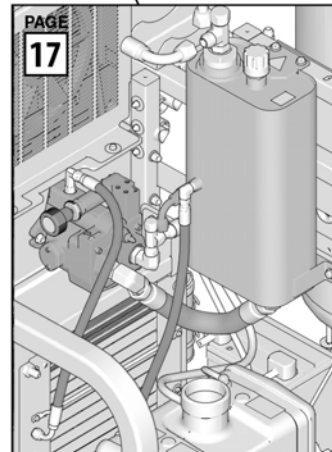
**1,350 lb.
Bead Tank Assembly**



**Engine and
Compressor Assembly**



**Hydraulic
Pump Assembly**

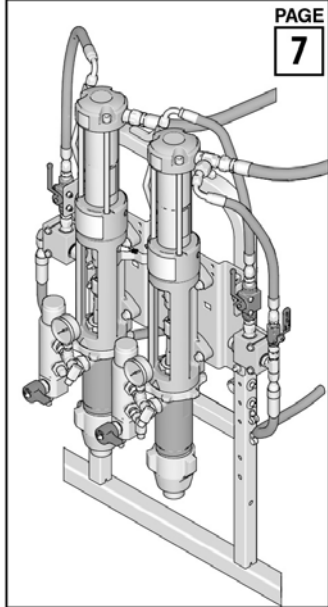


* No Bead Tank

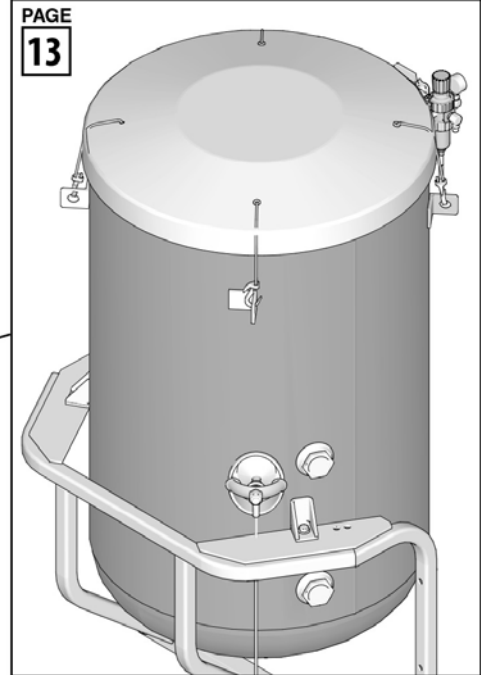
ti32898b

Contents - RoadPak HD 25M706, 25M707*

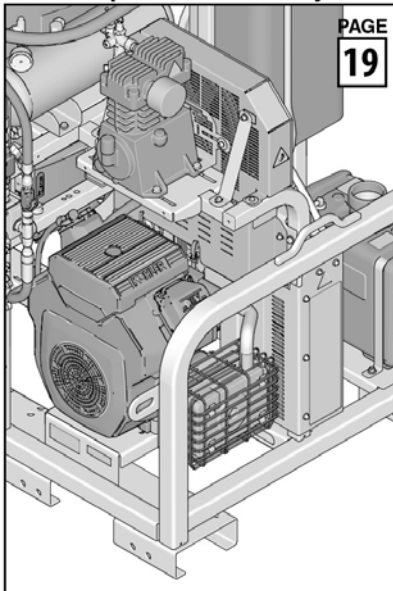
Pump Assembly



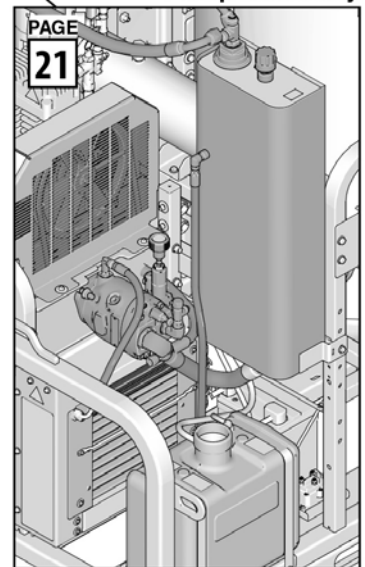
1350 lb. Bead Tank Assembly



Engine and Compressor Assembly



Hydraulic Pump Assembly

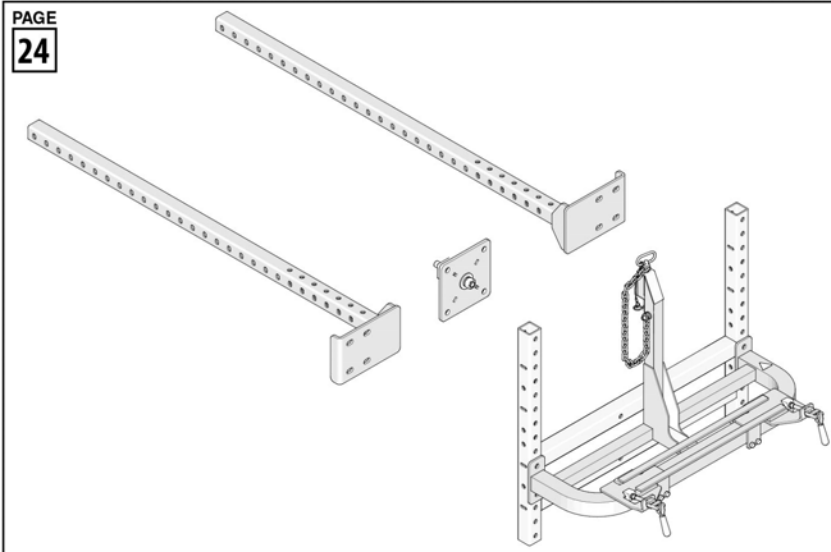


t132899b

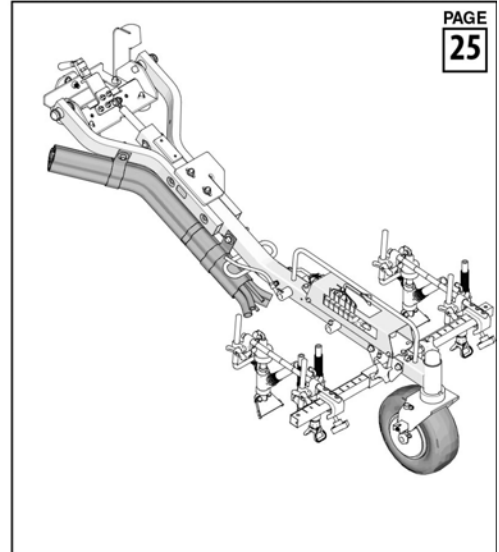
* No Bead Tank

Contents

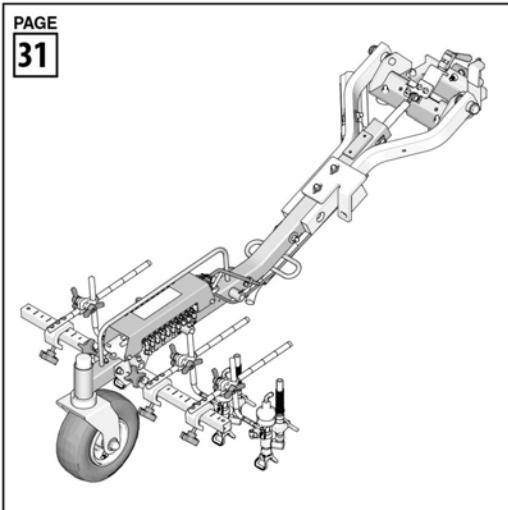
Slide-In Mounting Frame 24G627
Single Hitch Mounting Frame 24G626



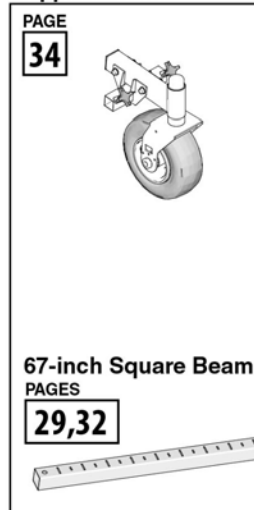
RoadPak Gun Arm 25M708, 25M709



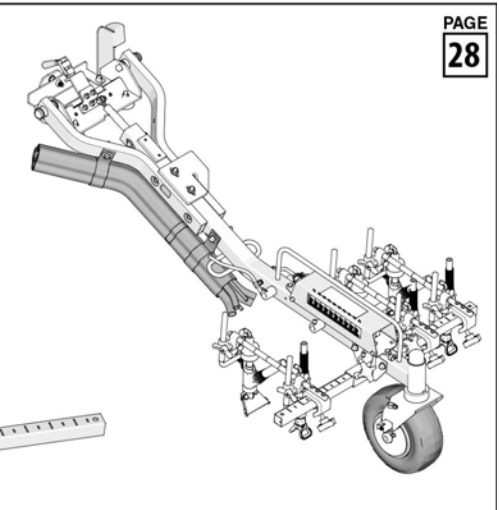
RoadPak HD Gun Arm 25D932



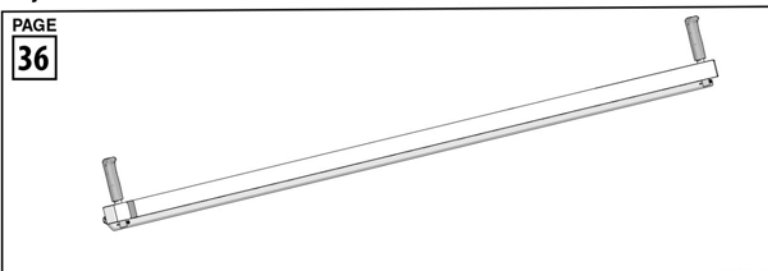
Support Wheel



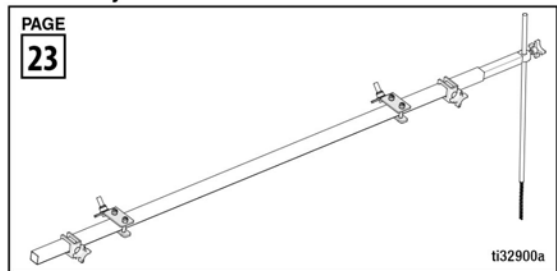
RoadPak HD Gun Arm 25M710



Adjustable Gun Arm Beam 24G630



Pointer System 24G634

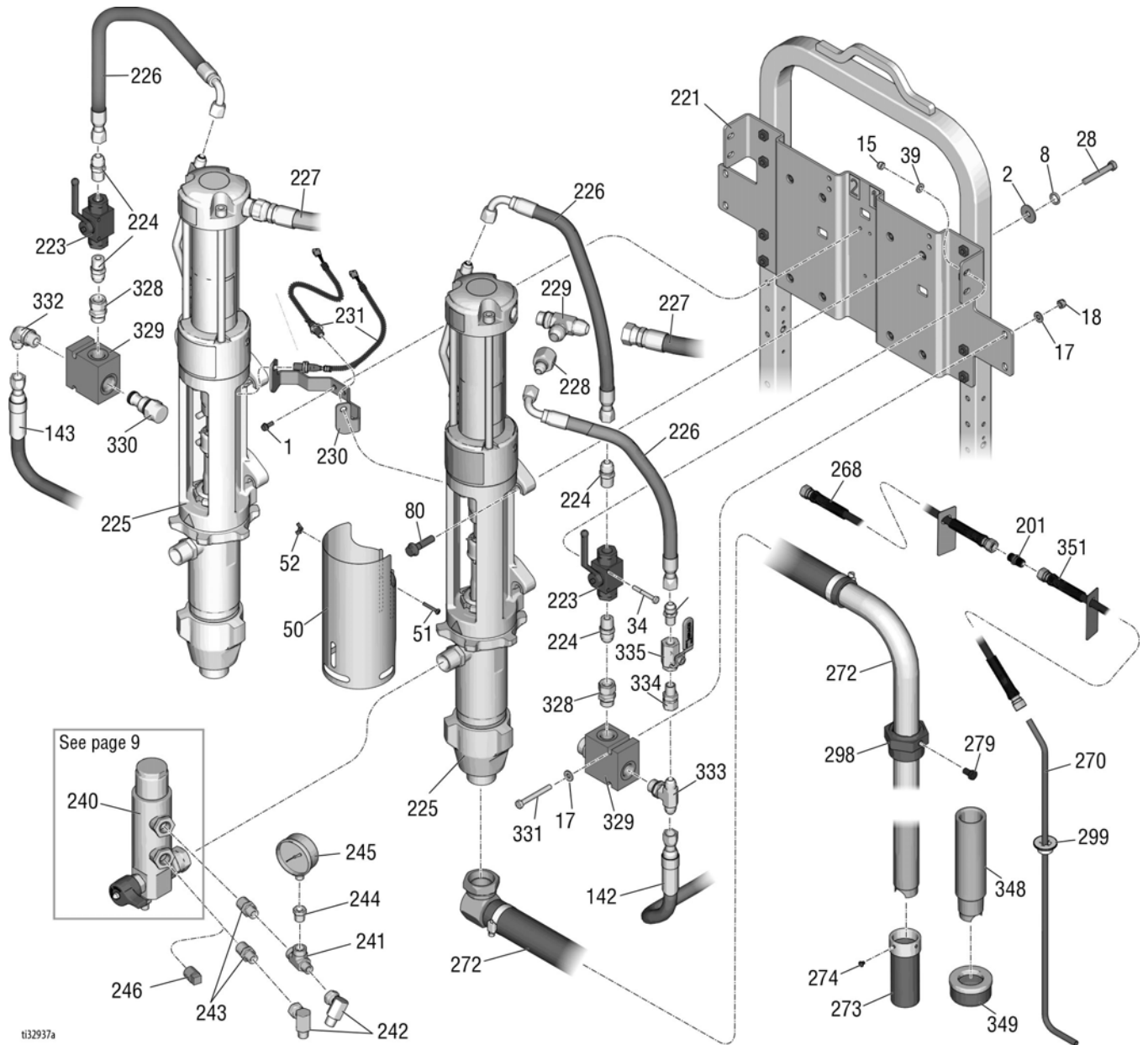


Parts List - RoadPak 25M701, 25M702, 25M703, 25M704, 25M705

Ref.	Part	Description	Qty.	Ref.	Part	Description	Qty.
1	112774	SCREW, mach, sltd hex wash hd	2	241	124490	FITTING, tee, street (2-pumps)	2
2	108851	WASHER, plain	8			FITTING, tee, street (1-pump)	1
8	100133	WASHER, lock, 3/8	8	242	207123	UNION, swivel, 90 deg (2-pumps)	3
15	102040	NUT, lock, hex (2-pumps)	4			UNION, swivel, 90 deg (1-pump)	2
		NUT, lock, hex (1-pump)	1	243	16F255	FITTING, nipple, rdcg, 1/2 x 3/8 npt (2-pumps)	3
28	516595	BOLT, hex hd, 3/8 x 2.5	8			FITTING, nipple, rdcg, 1/2 x 3/8 npt (1-pump)	2
34	110982	SCREW, cap, hex hd (2-pumps)	4	244	168160	BUSHING, pipe (2-pumps)	2
		SCREW, cap, hex hd (1-pump)	2			BUSHING, pipe (1-pump)	1
39	110755	WASHER, plain (2-pumps)	4	245	102814	GAUGE, press, fluid (2-pumps)	2
		WASHER, plain (1-pump)	2			GAUGE, press, fluid (1-pump)	1
50	16H585	SHIELD, pump (2-pumps)	2	246	124489	PLUG, pipe (2-pumps)	1
		SHIELD, pump (1-pump)	1	268	245798	HOSE, cpld, 1/4 in. x 7 ft (2-pumps)	2
51	111235	SCREW, mach, pnh (2-pumps)	2			HOSE, cpld, 1/4 in. x 7 ft (1-pump)	1
		SCREW, mach, pnh (1-pump)	1	270	16G707	TUBE, drain (2-pumps)	2
52	120317	NUT, wing (2-pumps)	2			TUBE, drain (1-pump)	1
		NUT, wing (1-pump)	1	272	24G726	HOSE, suction (2-pumps)	2
80	120226	SCREW, hex hd, flange (2-pumps)	8			HOSE, suction (1-pump)	1
		SCREW, hex hd, flange (1-pump)	4	273	16G692	STRAINER, inlet (2-pumps)	2
142	16G034	HOSE, coupled (1-pump)	1			STRAINER, inlet (1-pump)	1
143	16G035	HOSE, coupled (2-pumps)	1	274	125320	SCREW, mach, phillips, rnd hd (2-pumps)	4
201	196181	FITTING, nipple (2-pumps)	2			SCREW, mach, phillips, rnd hd (1-pump)	2
		FITTING, nipple (1-pump)	1	279	15D008	BOLT, 3/8-16, 316 sst (2-pumps)	4
221	17U276	PLATE, pump mounting, painted	1			BOLT, 3/8-16, 316 sst (1-pump)	2
223	120140	VALVE, ball, assembly (2-pumps)	2	298	260384	ADAPTER, bung, machining (2-pumps)	2
		VALVE, ball, assembly (1-pump)	1			ADAPTER, bung, machining (1-pump)	1
224	120304	FITTING, nipple, straight (2-pumps)	3	299	16J716	PLUG, 3/4 drum, with hole (2-pumps)	2
		FITTING, nipple, straight (1-pump)	1			PLUG, 3/4 drum, with hole (1-pump)	1
225 †	24G767	PUMP, RPS 2900 (2-pumps)	2	348	16U368	TUBE, inlet, extension (2-pumps)	2
		PUMP, RPS 2900 (1-pump)	1			TUBE, inlet, extension (1-pump)	1
226	15G783	HOSE, coupled (2-pumps)	3	349	237840	STRAINER, extension (2-pumps)	2
		HOSE, coupled (1-pump)	2			STRAINER, extension ((1-pump)	1
227	16G037	HOSE, coupled (2-pumps)	2	351	249232	HOSE, coupled, 36" (2-pumps)	2
		HOSE, coupled (1-pump)	1			HOSE, coupled, 36" (1-pump)	1
228	17U385	FITTING, reducer	1	352	110110	SEALANT, pipe, 6 ml (not shown)	1
229	17U556	FITTING, tee	1	335	17U798	VALVE, ball, start/run	1
230	17U025	BRACKET, sensor (2-pumps)	1	336	121311	FITTING, connector, NPT x JIC	1
		BRACKET, sensor (1-pump)	1	354	17V389	FITTING, tee	1
231	16J511	SENSOR, gallon counter (2-pumps)	2	355	17V392	FITTING, elbow, JIC x NPT	1
		SENSOR, gallon counter (1-pump)	1				
240	24G986	FILTER, assembly, RPS 2900 (2-pumps)	2				
		FILTER, assembly, RPS 2900 (1-pump)	1				

† Refer to manual 3A1303 for individual parts list.

Parts - RoadPak HD 25M706, 25M707

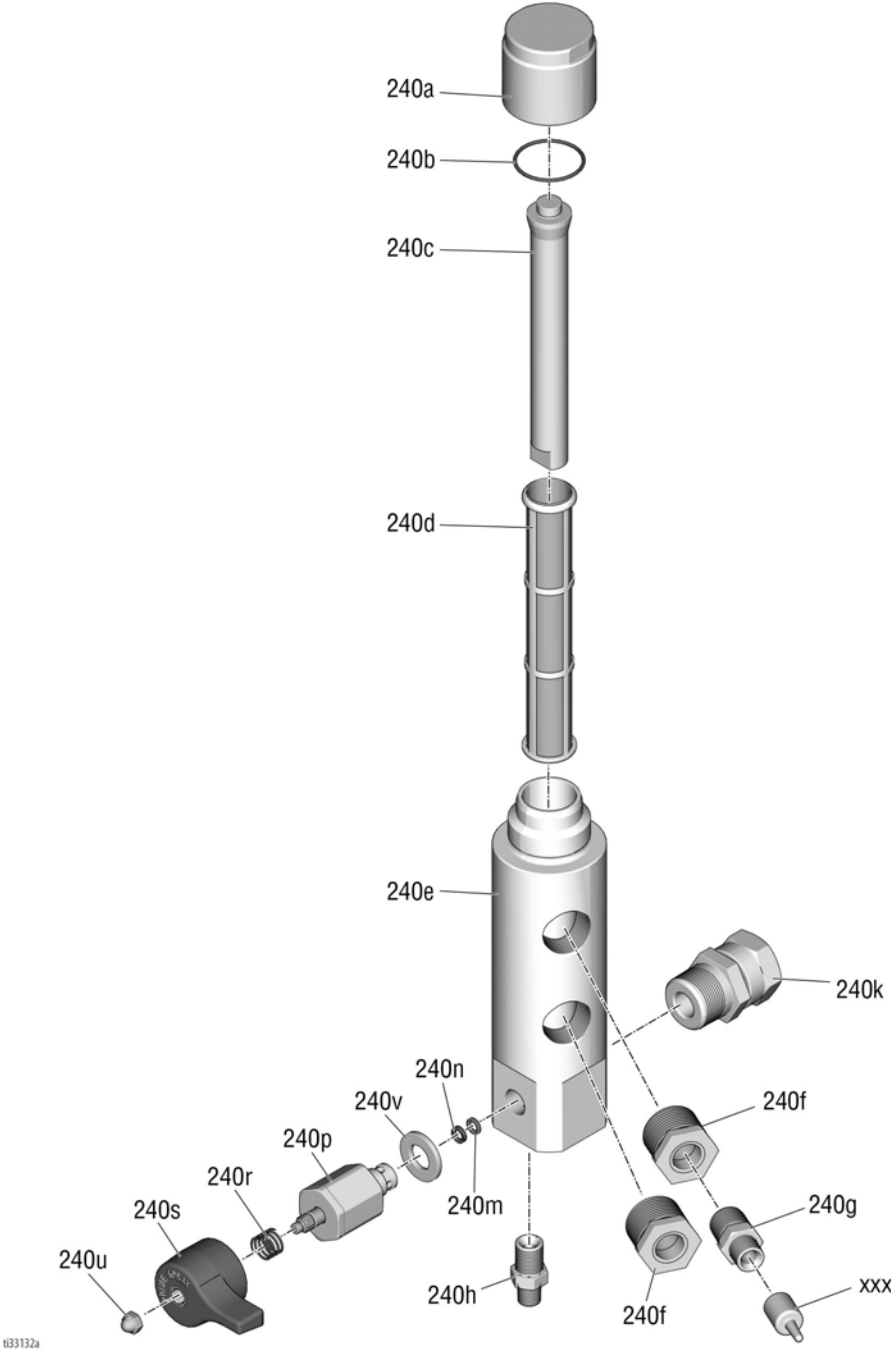


Parts List - RoadPak HD 25M706, 25M707

Ref.	Part	Description	Qty.	Ref.	Part	Description	Qty.
1	112774	SCREW, mach, sltd hex wash hd	2	243	16F255	FITTING, nipple, rdcg, 1/2 x 3/8 npt	3
2	108851	WASHER, plain	8	244	168160	BUSHING, pipe	2
8	100133	WASHER, lock, 3/8	8	245	102814	GAUGE, press, fluid	2
15	102040	NUT, lock, hex	4	246	124489	PLUG, pipe	1
17	100527	WASHER, plain	8	268	245798	HOSE, cpld, 1/4 in. x 7 ft	2
18	111040	NUT, lock, 5/16	4	270	16G707	TUBE, drain	2
28	516595	BOLT, hex hd, 3/8 x 2.5	8	272	24G726	HOSE, suction	2
34	110982	SCREW, cap, hex hd	4	273	16G692	STRAINER, inlet	2
39	110755	WASHER, plain	4	274	125320	SCREW, mach, phillips, rnd hd	4
50	16H585	SHIELD, pump	2				
51	111235	SCREW, mach, pnh	2	279	15D008	BOLT, 3/8-16, 316 sst	4
52	120317	NUT, wing	2	298	260384	ADAPTER, bung, machining	2
80	120226	SCREW, hex hd, flange	8	299	16J716	PLUG, 3/4 drum, with hole	2
142	16G034	HOSE, coupled	1	328	17U325	FITTING, swivel, connector	2
143	16G035	HOSE, coupled	1	329	17U016	HOUSING, flow regulator	2
201	196181	FITTING, nipple	2	330	17U017	CARTRIDGE, flow regulator	2
221	17U276	PLATE, pump mounting, painted	1	331	113664	SCREW, cap, hex	4
223	120140	VALVE, ball, assembly	2	332	17U319	FITTING, elbow	1
224	120304	FITTING, nipple, straight	4	333	17U786	FITTING, tee	1
225 †	24G767	PUMP, RPS 2900	2	334	117328	FITTING, nipple, straight	1
226	15G783	HOSE, coupled	3	335	17U798	VALVE, ball, start/run	1
227	16G037	HOSE, coupled	2	336	121311	FITTING, NPT x JIC	1
228	17U385	FITTING, reducer	1	348	16U368	TUBE, inlet, extension	2
229	17U556	FITTING, tee	1	349	237840	STRAINER, extension	2
230	17U025	BRACKET, sensor	1	350	110110	SEALANT, pipe, 6 ml (not shown)	1
231	16J511	SENSOR, gallon counter	2	351	249232	HOSE, couples, 36"	2
240	24G986	FILTER, assembly, RPS 2900	2				
241	124490	FITTING, tee, street	2				
242	207123	UNION, swivel, 90 deg	3				

† Refer to manual 3A1303 for individual parts list.

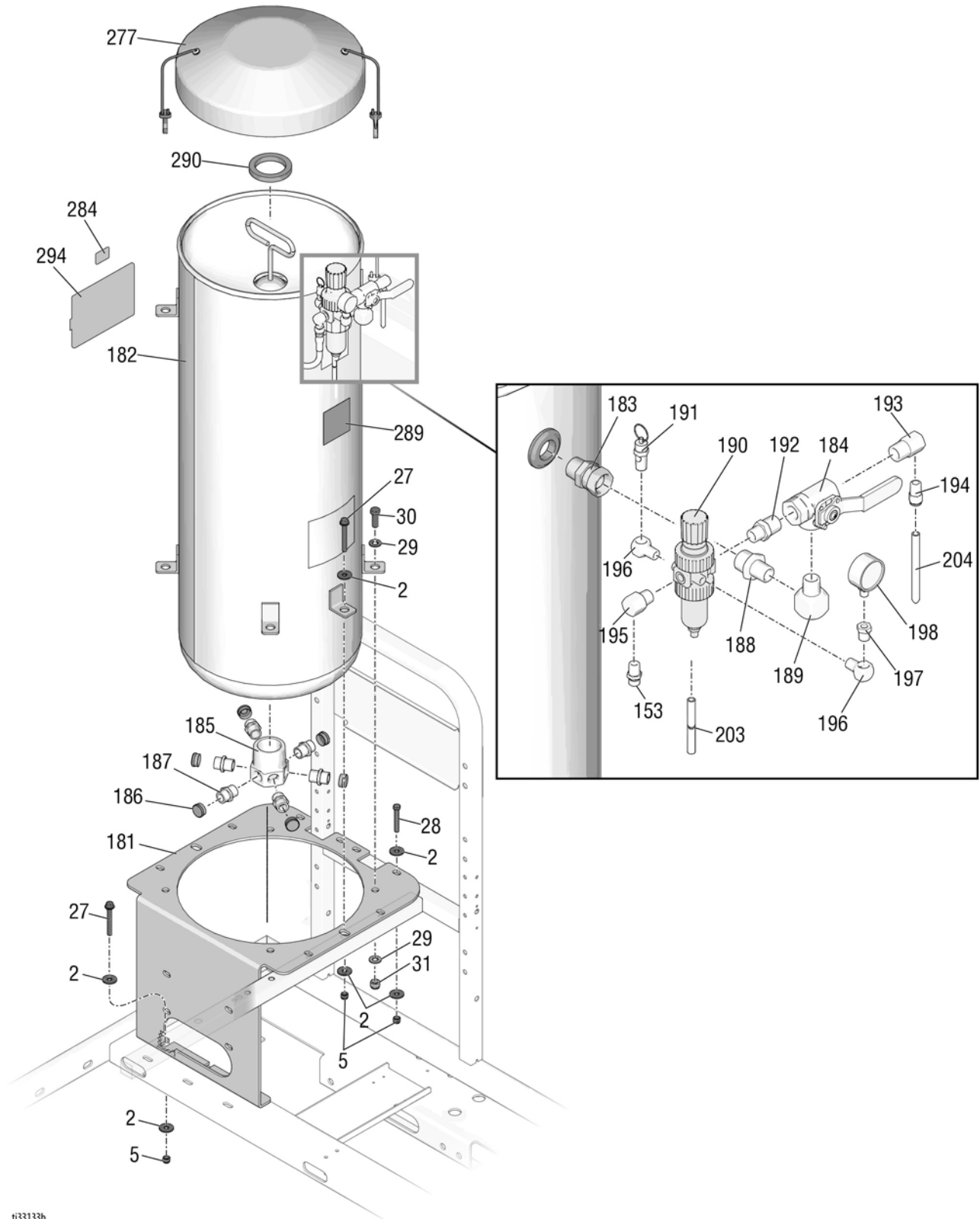
Parts - Filter Assembly 24G986



Parts List - Filter Assembly 24G986

Ref.	Part	Description	Qty	Ref.	Part	Description	Qty
240A	15C765	CAP, filter	1	240K	287968	FITTING, union adapter	1
240B	117285	PACKING, o-ring	1	240M	193710	SEAL, seat, valve	1
240C	15C766	TUBE, diffusion	1	240N	193709	SEAT, valve	1
240D	244071	FILTER, 30 mesh, ultra	1	240P	287879	VALVE, drain, assy <i>includes 240V</i>	1
240E	15G649	BASE, filter	1	240R	114708	SPRING, compression	1
240F	124488	BUSHING, pipe	2	240S	15G563	HANDLE, valve	1
240G	16F255	FITTING, nipple, rdcg, 1/2 x 3/8 npt	1	240U	116424	NUT, cap	1
240H	16F254	FITTING, nipple, rdcg 5/8 x 1/4 npt	1	240V	114797	GASKET	1

Parts - RoadPak 25M701, 25M703 (continued)

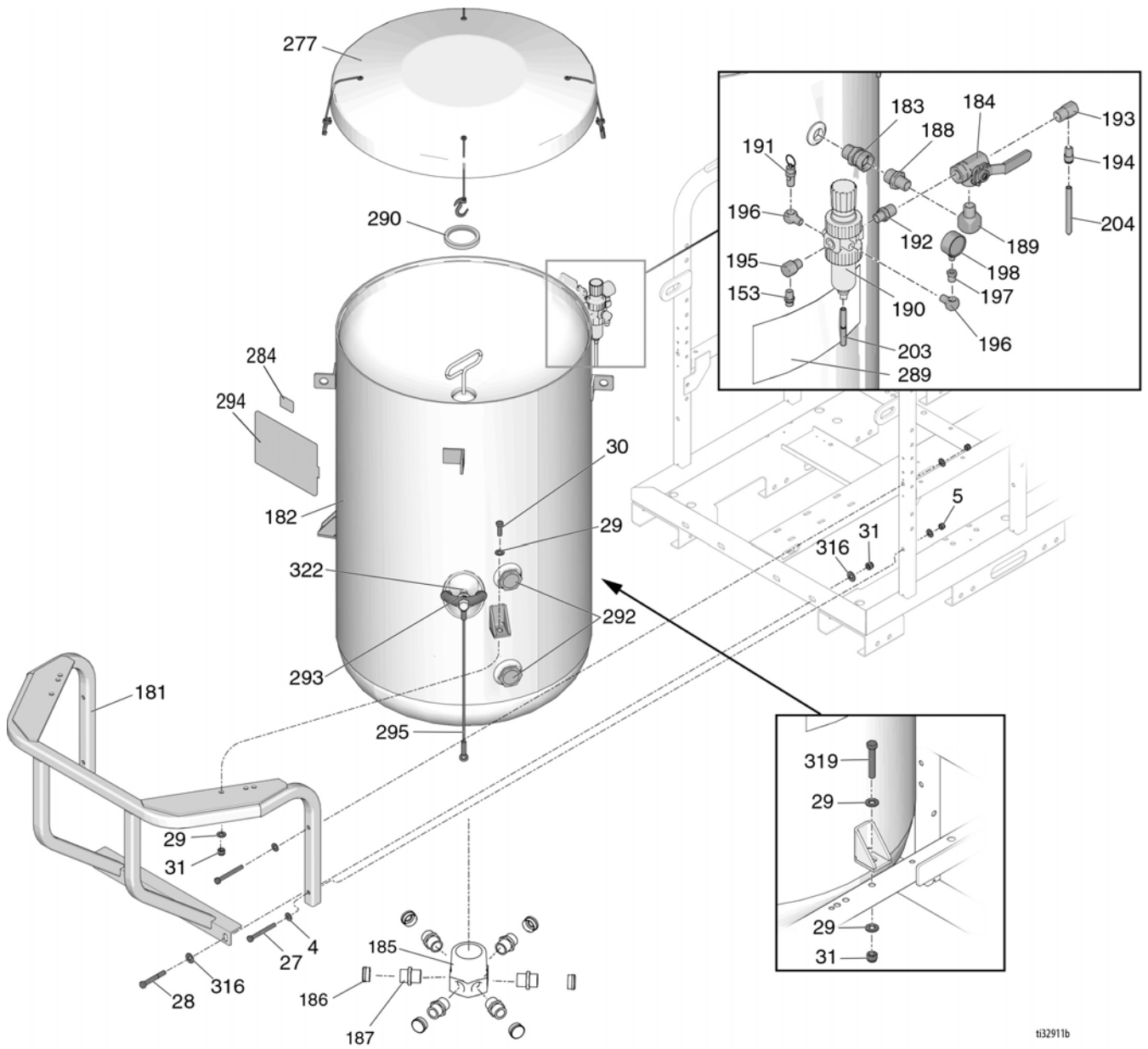


t33133b

Parts List - RoadPak 25M701, 25M703 (continued)

Ref.	Part	Description	Qty.	Ref.	Part	Description	Qty.
2	108851	WASHER, flat	16	190	113291	REGULATOR, air	1
5	101566	NUT, hex, lock	8	191	108124	VALVE, safety, 75 psi	1
27	125626	SCREW, hex	4	192	159239	FITTING, nipple, pipe, rdcg	1
28	516595	SCREW, cap, hex	4	193	166999	FITTING, elbow, street	1
29	109570	WASHER, wrought	8	194	113319	FITTING, air	1
30	100017	SCREW, cap, hex hd	4	195	164259	FITTING, elbow, street	1
31	801020	NUT, lock, hex	4	196	100840	FITTING, elbow, street	2
153	162453	FITTING, (1/4 npsm x 1/4 npt)	1	197	100030	BUSHING	1
181	16G777	BRACKET, mount, bead tank	1	198	104655	GAUGE, press air	1
182	24F496	TANK, bead, 36 gal.	1	203	18A942	TUBE, drain	1
183	157785	FITTING, swivel	1	204	191643	HOSE, air, 3/8	1
184	113292	VALVE, ball, 3 way	1	277	24J348	COVER, bead tank	1
185	17U020	FITTING, 6 pos.	1	284	16D576	LABEL, made in USA	1
186	16U377	CAP, hose	6	289	16H060	LABEL, pressure on off	1
187	111834	NIPPLE, pipe, hex	6	290	15A552	SEAL	1
188	157191	FITTING, adapter (1/2 npt x 3/4 npt)	1	294	183682	LABEL, Graco logo	1
189	158683	FITTING, elbow, 90 deg	1				

Parts - RoadPak 25M704, 25M706 (continued)

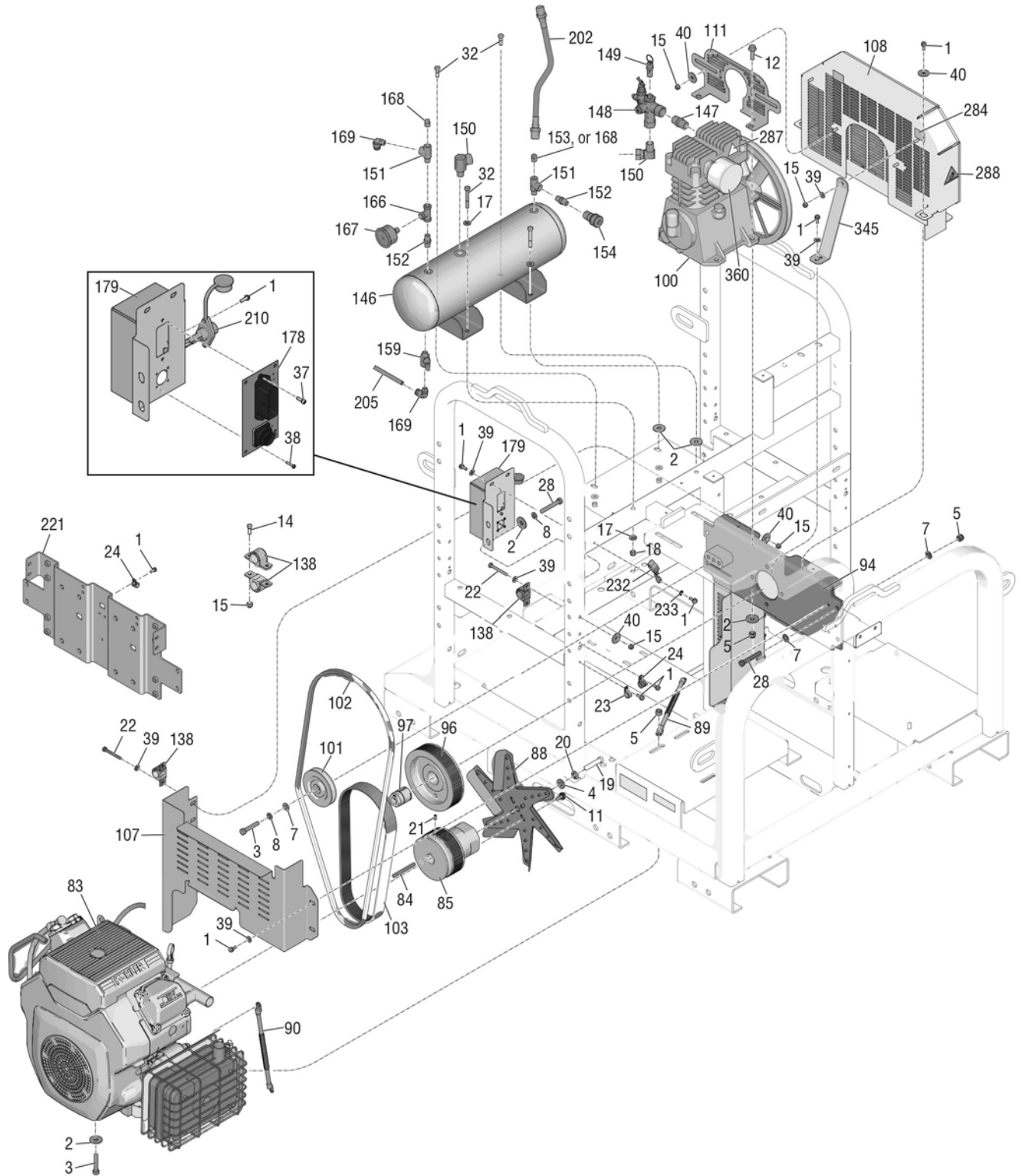


t32911b

Parts List - RoadPak 25M704, 25M706 (continued)

Ref.	Part	Description	Qty.	Ref.	Part	Description	Qty.
4	100132	WASHER, flat	8	193	166999	FITTING, elbow, street	1
5	101566	NUT, lock	4	194	113319	FITTING, air	1
27	127209	SCREW, cup, hex head	4	195	164259	FITTING, elbow, street	1
28	124869	SCREW, cap, hex	2	196	100840	FITTING, elbow, street	2
29	109570	WASHER	6	197	100030	BUSHING	1
30	100017	SCREW, cap, hex hd	2	198	104655	GAUGE, press air	1
31	801020	NUT, lock, hex	5	203	18A942	TUBE, drain	1
153	162453	FITTING, (1/4 npsm x 1/4 npt)	1	204	191643	HOSE, air, 3/8	1
181	17U083	BRACKET, mount, bead tank	1	277	17S725	COVER, bead tank	1
182	25D641	KIT, tank, bead, large, RoadPak	1	284	16D576	LABEL, made in USA	1
183	157785	FITTING, swivel	1	289	16H060	LABEL, pressure on off	1
184	113292	VALVE, ball, 3 way	1	290	15A552	SEAL	1
185	17U020	FITTING, 6 pos.	1	292	17T001	SIGHTGLASS	2
186	16U377	CAP, hose	6	293	C19187	NUT, hex	1
187	111834	NIPPLE, pipe, hex	6	294	183682	LABEL, Graco logo	1
188	157191	FITTING, adapter (1/2 npt x 3/4 npt)	1	295	17U279	LANYARD	1
189	158683	FITTING, elbow, 90 deg	1	316	100696	WASHER, wrought	4
190	113291	REGULATOR, air	1	319	101147	SCREW, cap, hex hd	1
191	108124	VALVE, safety, 75 psi	1	322	156306	WASHER, flat	1
192	159239	FITTING, nipple, pipe, rdcg	1				

Parts - RoadPak 25M701, 25M702, 25M703, 25M704, 25M705 (continued)



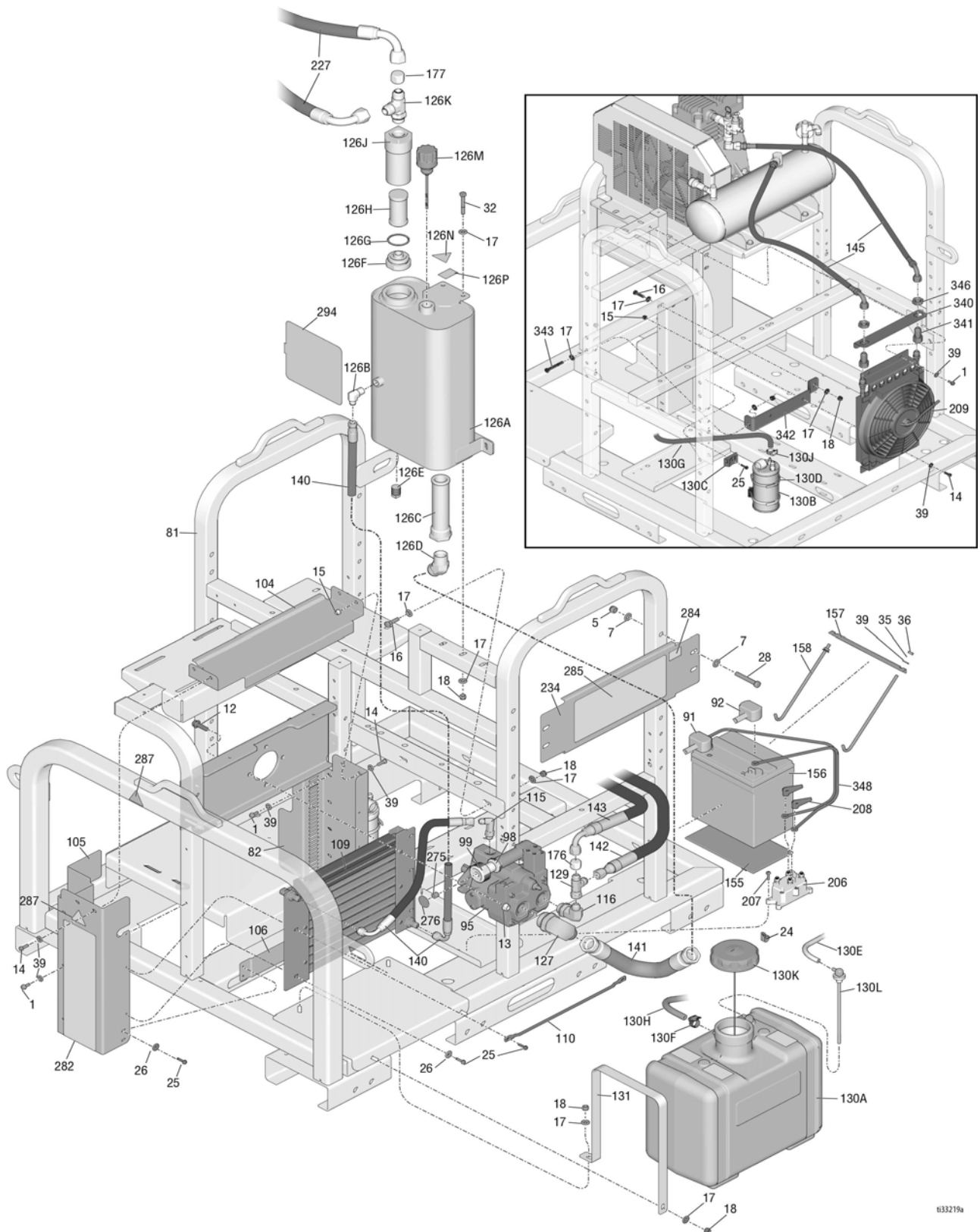
133218a 25M702

Parts List - RoadPak 25M701, 25M702, 25M703, 25M704, 25M705 (continued)

Ref.	Part	Description	Qty.	Ref.	Part	Description	Qty.
1	112774	SCREW, mach, sltd hex wash hd	13	103	17U015	BELT, poly-v, A-section	1
2	108851	WASHER, plain	10	107	16G580	COVER, belt, lower	1
3	111803	SCREW, cap, hex hd	5	108	17U116	COVER, belt, assy, painted	1
4	100132	WASHER, flat	1	111	16G830	COVER, belt, air compressor, paint	1
5	101566	NUT, lock	13	138	125005	CLAMP, hose, cushion, 7/8 ID (2-pumps)	6
7	100731	WASHER	9		125005	CLAMP, hose, cushion, 7/8 ID (1-pump)	2
8	100133	WASHER, lock, 3/8	9				
11	110963	SCREW, cap, flange head	4	146	24G416	TANK, air, assembly	1
12	111193	SCREW, cap, flange head	4	147	158491	FITTING, nipple	1
14	100022	SCREW, cap, hex hd (2-pumps)	2	148	112795	REGULATOR, unloader	1
15	102040	NUT, lock, hex (2-pumps)	13	149	113286	VALVE, safety, 150 psi	1
	102040	NUT, lock, hex (1-pump)	10	150	155470	FITTING, swivel, union, 90 degree	2
17	100527	WASHER, plain	8	151	106228	FITTING, tee, street	2
18	111040	NUT, lock, insert, nylock, 5/16	4	152	156971	FITTING, nipple, short	2
19	125070	SCREW, cap, hex head	1	153	162453	FITTING, (1/4 npsm x 1/4 npt)	1
20	100052	WASHER, lock	1	154	208536	COUPLER, line, air	1
21	100644	SCREW, set	1	159	15B565	VALVE, ball	1
22	105171	SCREW, cap, hex, 1/4 x 2.25 (2-pumps)	7	166	104984	FITTING, tee, pipe	1
	105171	SCREW, cap, hex, 1/4 x 2.25 (1-pump)	4	167	118457	GAUGE, panel, mount	1
23	113491	CLAMP, wire	2	168	100509	PLUG, pipe	1
24	125220	CLAMP, cushion, support, type, loop	3		100509	PLUG, pipe (25M702, 25M705)	2
28	516595	BOLT, hex, 3/8	6	169	115841	FITTING, elbow	2
32	108481	SCREW, cap, hex hd	2	178	25M795	BOARD, interconnect	1
33	100450	SCREW, cap, hex hd	2	179	17U066	BOX, junction	1
37	120463	SCREW, machine, phil head	2	202	512616	HOSE, coupled (25M701, 25M703, 25M704)	1
38	111714	SCREW, machine, pan head	4	205	125276	HOSE, air, 3/8	1
39	110755	WASHER, plain (2-pumps)	13	210	17U140	CORD, remote plug-in, winch	1
	110755	WASHER, plain (1-pump)	10	221	17U276	PLATE, mounting, pumps	1
40	159346	WASHER (2-pumps)	13	232	237686	WIRE, ground, assy. w/ clamp	1
	159346	WASHER (1-pump)	10	233	100985	WASHER, lock, ext	1
82	17U029	SUPPORT, cooler, left, painted	1	284	16D576	LABEL, made in USA	1
83	124935	ENGINE, gasoline, 18 HP Kohler	1	▲287	189285	LABEL, caution, burn	1
84	605358	KEY, sprocket	1	▲288	16C394	LABEL, iso pinch hazard icon	1
85	17U021	PULLEY, drive	1	340	17V351	BRACKET, support, collar, top	1
88	17U014	FAN, 13 in.	1	341	17V356	FITTING, cooler, bulkhead	2
89	125072	CABLE, electric, battery, negative	1	342	17V289	BRACKET, support, cooler, bottom	1
90	125073	CABLE, elec., battery, positive	1	345	17V307	BRACKET, support, belt cover	2
94	17S997	PLATE, mounting, hydraulic, pump	1	346	100071	NUT, hex	2
96	17U023	PULLEY, pump, 10 groove	1	348	17V419	BUSHING, keyless, 3/4"	1
97	17V419	BUSHING, keyless, 3/4" shaft	1	360	128736	KIT, air filter	1
100	24N370	KIT, compressor, air	1				
101	124880	PULLEY, idler, a section belt	1				
102	124926	BELT, v, a section	1				

▲ Replacement Warning labels, tags, and cards are available at no cost.

Parts - RoadPak 25M701, 25M702, 25M703, 25M704, 25M705 (continued)



633219a

Parts List - RoadPak 25M701, 25M702, 25M703, 25M704, 25M705 (continued)

Ref.	Part	Description	Qty.	Ref.	Part	Description	Qty.
1	112774	SCREW, mach, sltd hex wash hd	8	129	124770	FITTING, tee, 1/2 JIC, swivel	1
5	101566	NUT, lock, 3/8"	4	130	24H587	KIT, install, 6 gal fuel tank (includes 130A-130L)	1
7	100731	WASHER, 3/8"	8	130A	24H257	TANK, 6 gal., CARB compliant	1
12	111193	SCREW, cap, flange head	2	130B	16G710	CARTRIDGE, fuel vapor, carbon	1
13	112958	NUT, hex, flanged	2	130C	16G758	BRACKET, cartridge, mount	2
14	100022	SCREW, cap, hex hd	4	130D	16G756	STRAP, cartridge mounting	2
15	102040	NUT, lock, hex	6	130E	16G722	HOSE, 1/4", low perm, 3 ft.	1
16	100521	SCREW, cap hed hd	2	130F	16G757	CLAMP, hose, 1/4"	4
17	100527	WASHER, plain	12	130G	16H081	HOSE, 3/6", low perm, 15 in.	1
18	111040	NUT, lock, insert, nylock, 5/16	8	130H	16H082	HOSE, 1/4", low perm, 2 ft.	1
24	125220	CLAMP, cushion	1	130J	16G162	CLAMP, hose, 3/6"	2
25	C20474	SCREW, self-tapping	12	130K	16G721	CAP, 3.5", CARB compliant	1
26	120339	WASHER, fender	8	130L	16G720	TUBE, pickup	1
28	516595	BOLT, hex, 3/8"	4	131	16G778	BRACKET, mounting, fuel tank	2
32	108481	SCREW, cap, hex hd	2	140	16G033	HOSE, coupled	2
35	100016	WASHER, lock	2	141	16G038	HOSE, coupled	1
36	100015	NUT, hex mscr	2	142	16G034	HOSE, coupled	1
39	110755	WASHER, plain	17	143	16G035	HOSE, coupled (2-pumps only)	1
81	17U075	FRAME, weldment, power pack	1	145	17V355	HOSE, couples, PTFE	2
82	17U029	SUPPORT, cooler, left	1	155	801972	PAD, battery	1
91	801958	PROTECTOR, terminal, red	1	156	115753	BATTERY, 33 AH, sealed	1
92	801959	TERMINAL, protector, black	1	157	107069	CLAMP, battery	1
95	24J517	KIT, pump, hydraulic (includes 12, 13, 98, 99, 275, 276)	1	158	803525	BOLT, battery	2
98	15G767	COLLAR, locking, pressure knob	1	176	120112	FITTING, cap, nut (1-pump only)	1
99	15B438	KNOB, pressure	1	177	120170	FITTING, cap, nut (1-pump only)	1
104	17U063	COVER, fan, top, painted	1	206	16F346	SWITCH, winch, contactor	1
105	17U061	SUPPORT, cooler, right, painted	1	207	107439	SCREW, machine, hex	4
106	16G578	SUPPORT, cooler, front, painted	1	208	131395	INSULATOR, boot, black	2
109	17U018	COOLER, oil, skived	1	209	17U306	COOLER, fanned, 12vdc	1
110	15H480	BAR, support	1	227	16G037	HOSE, coupled	2
115	124941	FITTING, long elbow, hydraulic	1	234	17U026	PLATE, label	1
116	124942	FITTING, elbow, hydraulic	1	275	117560	SCREW, set, socket head	1
126	24G984	RESERVOIR, hydraulic, RPS 2900	1	276	15A464	LABEL, control	1
126A	15G545	RESERVOIR, painted (includes 126A-126P)	1	282	16H897	LABEL, brand, RoadLazer	1
126B	120064	FITTING, elbow, hydraulic	1	284	16D576	LABEL, made in USA	1
126C	120137	FITTING, suction	1	285	17V201	LABEL, Roadlazer, Roadpak, side	1
126D	124769	FITTING, elbow, male, 1 jic x 1 sae	1	▲287	189285	LABEL, caution	2
126E	124489	PLUG, pipe	1	294	183682	LABEL, Graco logo	1
126F	15H247	CAP, filter, hydraulic	1	340	17V351	BRACKET, support, cooler, top	1
126G	120315	O-RING, packing	1	341	17V356	FITTING, cooler, bulkhead	2
126H	120310	FILTER, hydraulic fluid	1	342	17V289	BRACKET, support, cooler, bottom	1
126J	15H246	HOUSING	1	343	100450	SCREW, machine	1
126K	124768	FITTING, tee, 3/4 jic x 3/4 sae	1	346	100071	NUT, hex	2
126M	17L161	CAP, breather filler	1	348	17U188	WIRE, assy., battery	1
▲126N	189285	LABEL, caution	1				
126P	198585	LABEL, hydraulic fluid	1				
127	120066	FITTING, elbow, hydraulic	1				

▲ Replacement Danger and Warning labels, tags, and cards are available at no cost.

Parts List - RoadPak HD 25M706, 25M707 (continued)

Ref.	Part	Description	Qty.	Ref.	Part	Description	Qty.
1	112774	SCREW, mach, sltd hex wash hd	11	102	124926	BELT, v, A-Section	1
2	108851	WASHER, plain	10	103	17U015	BELT, poly-v, 10 rib	1
3	111803	SCREW, cap, hex hd	5	104	17U063	COVER, fan, top	1
4	111841	WASHER, flat	1	105	17U061	SUPPORT, cooler, right	1
5	101566	NUT, lock	12	107	16G580	COVER, belt, lower	1
7	100731	WASHER	9	108	17U116	COVER, belt, assy, painted	1
8	100133	WASHER, lock, 3/8	9	111	16G830	COVER, belt, air compressor, paint	1
11	110963	SCREW, cap, flange head	4	138	125005	CLAMP, hose, cushion, 7/8 ID	6
12	111193	SCREW, cap, flange head	4	146	24G416	TANK, air, assembly	1
14	100022	SCREW, cap, hex, hd	4	147	158491	FITTING, nipple	1
15	102040	NUT, lock, hex	13	148	112795	REGULATOR, unloader	1
17	100527	WASHER, plain	8	149	113286	VALVE, safety, 150 psi	1
18	111040	NUT, lock, insert, nylock, 5/16	4	150	155470	FITTING, swivel, union, 90 degree	2
19	C19056	SCREW, cap, hex head	1	151	106228	FITTING, tee, street	2
20	555642	WASHER, lock	1	152	156971	FITTING, nipple, short	2
21	100644	SCREW, set	1	153	162453	FITTING, (1/4 npsm x 1/4 npt)	1
22	105171	SCREW, cap, hex, 1/4 x 2.25	7	154	208536	COUPLER, line, air	1
23	113491	CLAMP, wire	2	159	15B565	VALVE, ball	1
24	125220	CLAMP, cushion, support, type, loop	3	166	104984	FITTING, tee, pipe	1
28	516595	BOLT, hex, 3/8	8	167	118457	GAUGE, panel, mount	1
32	108481	SCREW, cap, hex hd	2	168	100509	PLUG, pipe	1
33	100450	SCREW, cap, hex hd	2		100509	PLUG, pipe (25M707)	2
37	120463	SCREW, mach, phil hd	2	169	115841	FITTING, elbow	2
38	111714	SCREW, mach, pan head	4	178	25M795	BOARD, interconnect	1
39	110755	WASHER, plain	15	179	17U066	BOX, junction, RoadPak	1
40	159346	WASHER	13	202	512616	HOSE, coupled (25M706 only)	1
81	17U075	FRAME, weldment, Powerpak	1	205	125276	HOSE, air, 3/8	1
83	17U013	ENGINE, gasoline, 26.5 HP Kohler	1	210	17U140	CORD, remote, plug-in, winch	1
84	17U019	KEY, sprocket	1	221	17U276	PLATE, mounting, pumps	1
85	17U022	PULLEY, drive	1	282	16H897	LABEL, brand, RoadLazer	1
88	17U014	FAN, 13 in.	1	284	16D376	LABEL, made in USA	1
89	125072	CABLE, electric, battery, negative	1	▲287	189285	LABEL, caution, burn	3
90	125073	CABLE, elec., battery, positive	1	▲288	16C394	LABEL, iso pinch hazard icon	1
94	17S999	PLATE, mounting, hydraulic pump	1	326	124137	SCREW, flathead	2
96	17U024	PULLEY, pump, 10 groove	1	344	17V167	GUARD, muffler	1
97	17V420	BUSHING, keyless, 1" shaft	1	360	128736	KIT, air filter	1
100	24N370	KIT, compressor, air	1				
101	124880	PULLEY, idler, a section belt	1				

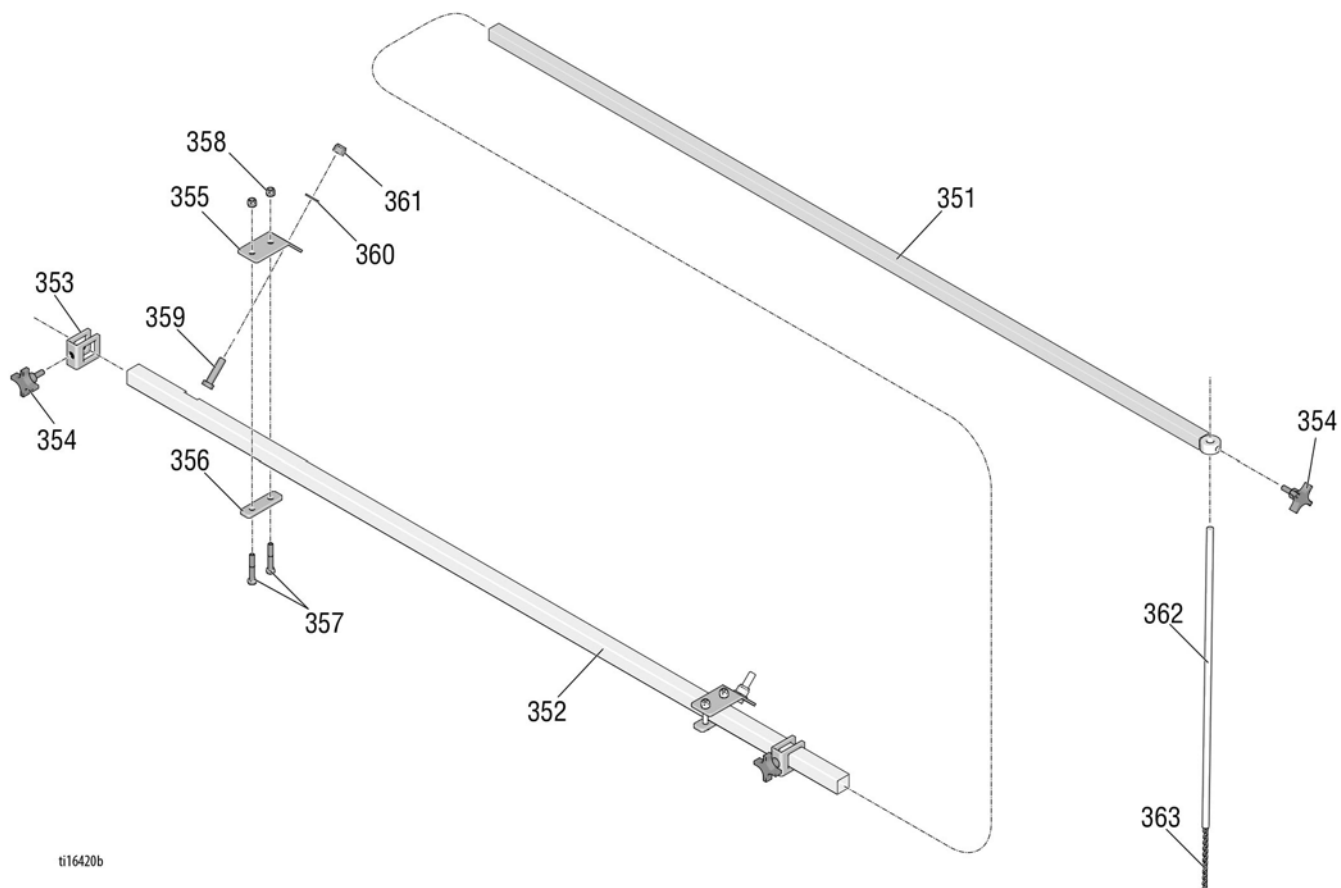
▲ Replacement Danger and Warning labels, tags, and cards are available at no cost.

Parts List - RoadPak HD 25M706, 25M707 (continued)

Ref.	Part	Description	Qty.	Ref.	Part	Description	Qty.
1	112774	SCREW, mach, sltd hex wash hd	8	130	24H587	KIT, install, 6 gal fuel tank (includes 130A-130L)	1
5	101566	NUT, lock, 3/8"	4	130A	24H257	TANK, 6 gal., CARB compliant	1
7	100731	WASHER, 3/8"	8	130B	16G710	CARTRIDGE, fuel vapor, carbon	1
13	112731	NUT, hex, flanged	2	130C	16G758	BRACKET, cartridge, mount	2
14	100022	SCREW, cap, hex hd	4	130D	16G756	STRAP, cartridge mounting	2
15	102040	NUT, lock, hex	10	130E	16G722	HOSE, 1/4", low perm, 3 ft.	1
16	100521	SCREW, cap hed hd	1	130F	16G757	CLAMP, hose, 1/4"	4
17	100527	WASHER, plain	12	130G	16H081	HOSE, 3/6", low perm, 15 in.	1
18	111040	NUT, lock, insert, nylock, 5/16	8	130H	16H082	HOSE, 1/4", low perm, 2 ft.	1
24	125220	CLAMP, cushion	1	130J	16G162	CLAMP, hose, 3/6"	2
25	C20474	SCREW, self-tapping	12	130K	16G721	CAP, 3.5", CARB compliant	1
26	120339	WASHER, fender	8	130L	16G720	TUBE, pickup	1
28	516595	BOLT, hex, 3/8"	4	131	16G778	BRACKET, mounting, fuel tank	2
32	108481	SCREW, cap, hex hd	2	138	125005	CLAMP, hose, cushion, 7/8 ID	2
35	100016	WASHER, lock	2	140	17U774	HOSE, coupled	1
36	100015	NUT, hex mscr	2	141	16G038	HOSE, coupled	1
39	110755	WASHER, plain	17	142	16G034	HOSE, coupled	1
40	159346	WASHER	2	143	16G035	HOSE, coupled	1
82	17U029	SUPPORT, cooler, left	1	145	17V355	HOSE, couples, ptfe	2
91	801958	PROTECTOR, terminal, red	1	155	801972	PAD, battery	1
92	801959	TERMINAL, protector, black	1	156	115753	BATTERY, 33 AH, sealed	1
95	17V283	KIT, hydraulic pump hd (includes 13, 99, 275, 276, 326)	1	157	107069	CLAMP, battery	1
99	15B438	KNOB, pressure	1	158	803525	BOLT, battery	2
106	16G578	SUPPORT, cooler, front, painted	1	206	16F346	SWITCH, winch, contactor	1
109	17U018	COOLER, oil, skived	1	207	107439	SCREW, machine, hex	4
110	15H480	BAR, support	1	208	131395	INSULATOR, boot, black	2
115	17U308	FITTING, elbow, JIC-6 x ORB-8	1	209	17U306	COOLER, fanned, 12vdc	1
116	124942	FITTING, elbow, hydraulic	1	227	16G037	HOSE, coupled	2
126	24S170	RESERVOIR, hydraulic, RPS 2900 (includes 126A-126P)	1	234	17U026	PLATE, label	1
126A	17T875	RESERVOIR, painted	1	275	117560	SCREW, set, socket head	1
126B	120064	FITTING, elbow, hydraulic	1	276	15A464	LABEL, pressure control	1
126C	120137	FITTING, suction	1	284	16D576	LABEL, made in USA	1
126D	124769	FITTING, elbow, male, 1 jic x 1 sae	1	285	17V202	LABEL, Roadlazer, Roadpak, side	1
126E	124489	PLUG, pipe	1	294	183682	LABEL, Graco logo	1
126F	15H247	CAP, filter, hydraulic	1	326	124137	SCREW, machine, flat head	2
126G	120315	O-RING, packing	1	327	17U774	HOSE, coupled	1
126H	120310	FILTER, hydraulic fluid	1	340	17V351	BRACKET, support, cooler, top	1
126J	15H246	HOUSING	1	341	17V356	FITTING, cooler, bulkhead	2
126K	124768	FITTING, tee, 3/4 jic x 3/4 sae	1	342	17V289	BRACKET, support, cooler	1
126M	17L161	CAP, breather filler	1	343	802277	SCREW, machine	1
▲126N	189285	LABEL, caution	1	346	100071	NUT, hex	2
126P	198585	LABEL, hydraulic fluid	1	348	17U188	WIRE, assy., battery	1
127	17U313	FITTING, elbow, hydraulic	1				
129	124770	FITTING, tee, 1/2 JIC, swivel	1				

▲ Replacement Danger and Warning labels, tags, and cards are available at no cost.

Parts - Pointer System 24G634

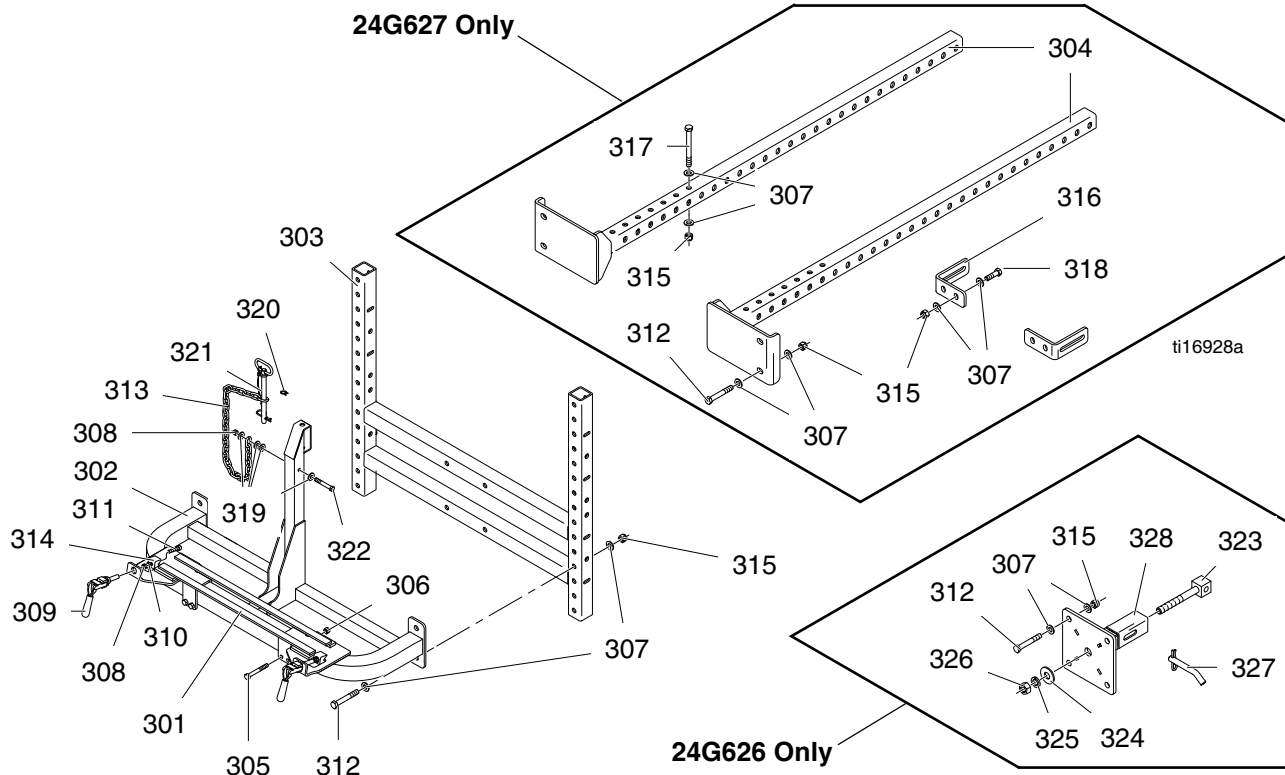


ti16420b

Parts List - Pointer System 24G634

Ref.	Part	Description	Qty.	Ref.	Part	Description	Qty.
351	191692	BRACKET, support	1	358	101566	NUT, lock	4
352	24F989	ARM, extension, guide	1	359	100017	SCREW, cap, hex HD	2
353	224136	CLAMP, extension	2	360	109570	WASHER, plain	2
354	111145	KNOB, pronged	3	361	801020	NUT, lock, hex	2
355	191691	BRACKET, mount	2	362	195202	ROD, indicator	1
356	191694	BAR, lock	2	363	115479	FASTENER, w/chain	1
357	105431	SCREW, manifold	4				

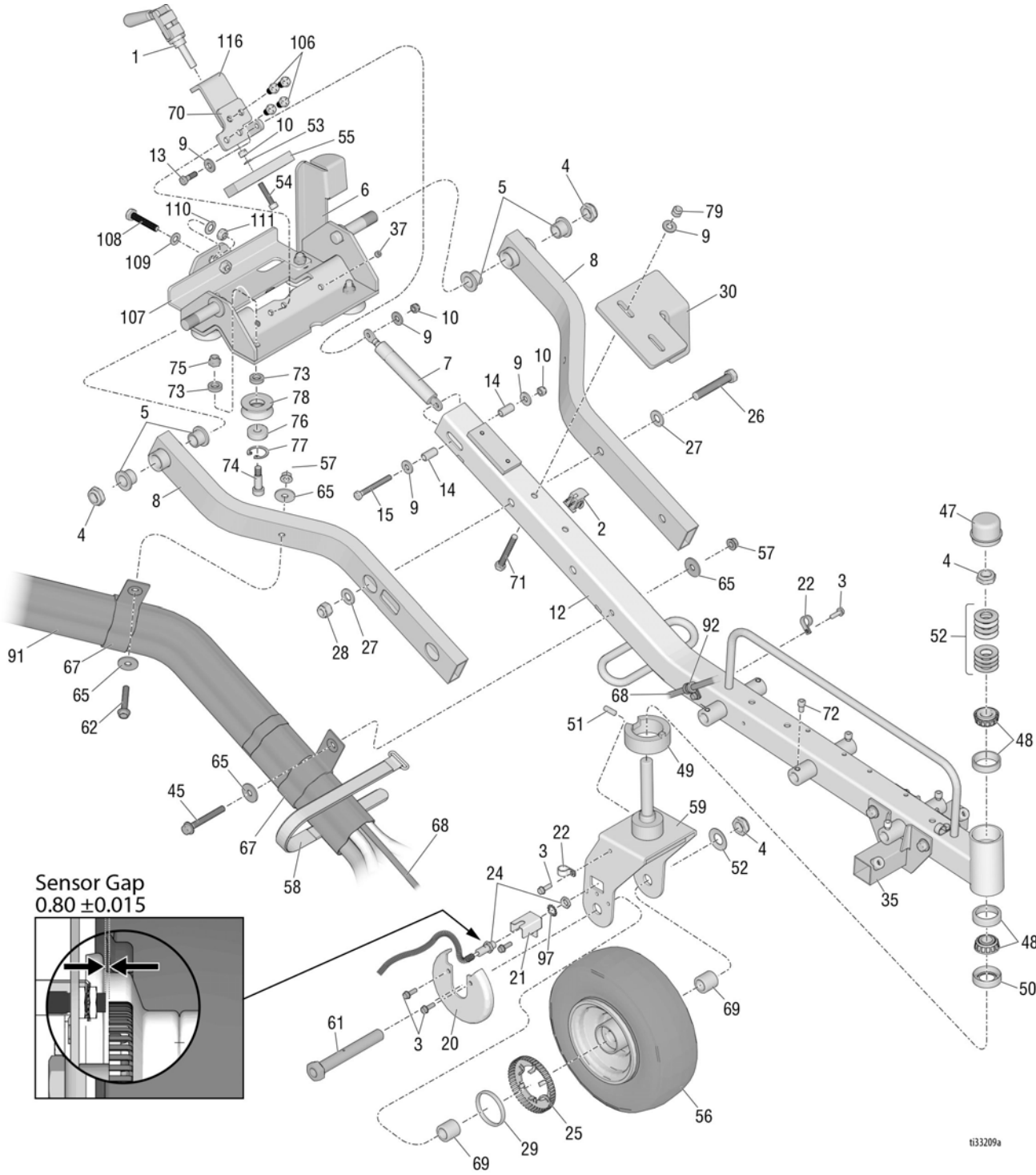
Parts - Slide-in Mounting Frame 24G627 Single Hitch Mounting Frame 24G626



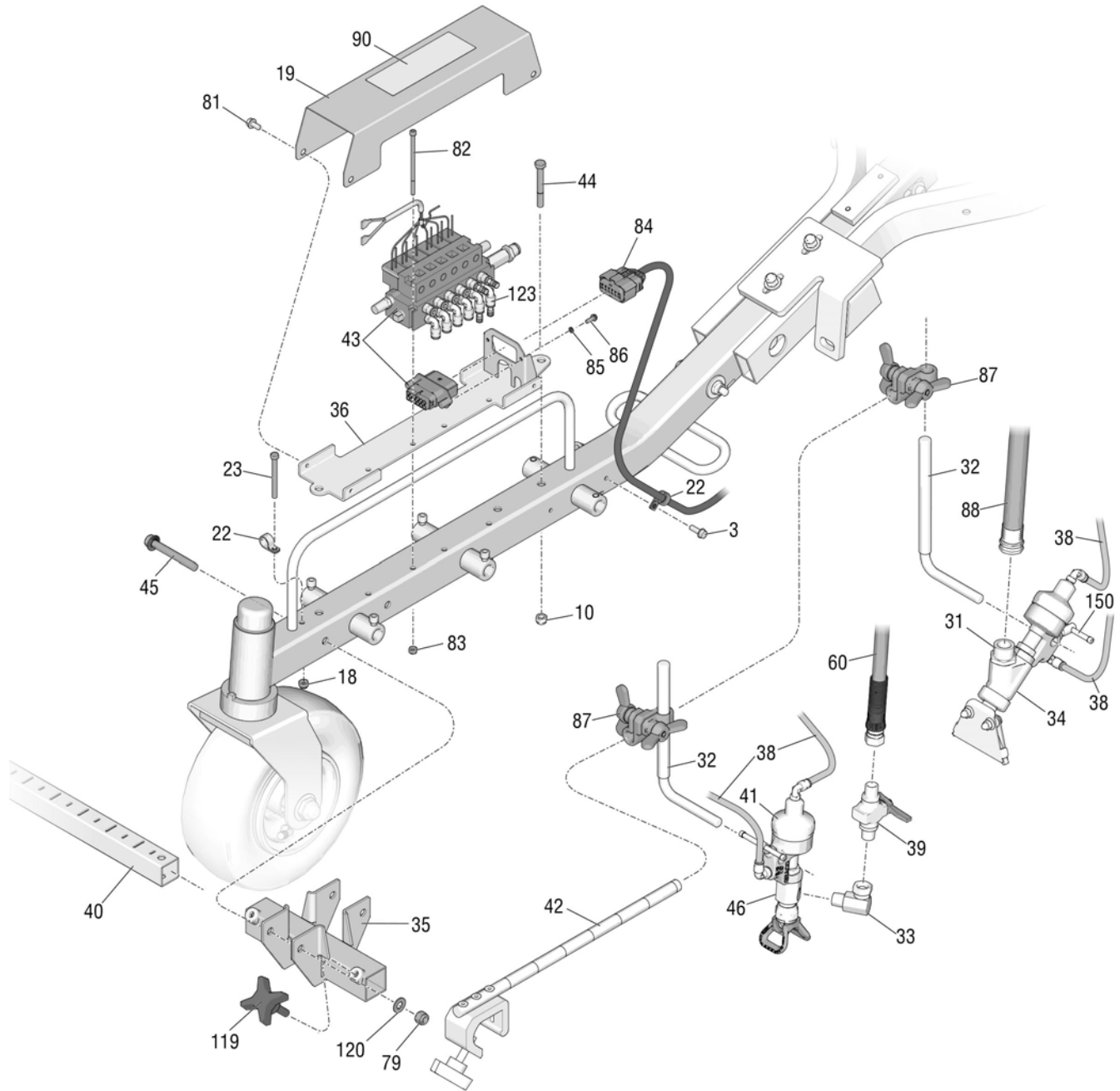
Parts List - Slide-in Mounting Frame 24G627 Single Hitch Mounting Frame 24G626

Ref.	Part	Description	Qty	Ref.	Part	Description	Qty
301	238301	BRACKET, guide	1	317	115211	SCREW, cap, hex HD (24G627 only)	2
302	24G982	BRACKET, mounting, arm, gun, painted	1	318	100017	SCREW, cap, hex HD (24G627 only)	8
303	24G981	BRACKET, hitch, arm, gun, painted	1	319	100023	WASHER, flat	4
304	24F991	EXTENSION, frame (24G627 only)	2	320	M71635	CLAMP, hose	1
305	100454	SCREW, cap hex HD	4	321	115473	PIN, hitch	1
306	101566	NUT, lock	4	322	802277	SCREW, machine	1
307	109570	WASHER, plain	52	323	24F497	ROD, tension (24G626 only)	1
308	111040	NUT, lock, insert, nylock, 5/16	3	324	110947	WASHER, plain (24G626 only)	1
309	113304	CLAMP, cam over	2	325	101015	WASHER, lock (24G626 only)	1
310	113451	WASHER, wave	2	326	C19187	NUT, nex (24G626 only)	1
311	113467	SCREW, cap, socket HD	2	327	125060	RECEIVER, hitch pin and clip (24G626 only)	1
312	124869	SCREW, cap, hex HD	16	328	24G840	INSERT, hitch, Roadpak, painted (24G626 only)	1
313	186812	CHAIN, ground 3.5 HP	1				
314	191099	CLAMP, wedge	2				
315	801020	NUT, lock, hex	26				
316	16G056	BRACE, L-bracket, painted (24G627 only)	4				

Parts - Gun Arm 25M708, 25M709



Parts - Gun Arm 25M708, 25M709 (continued)



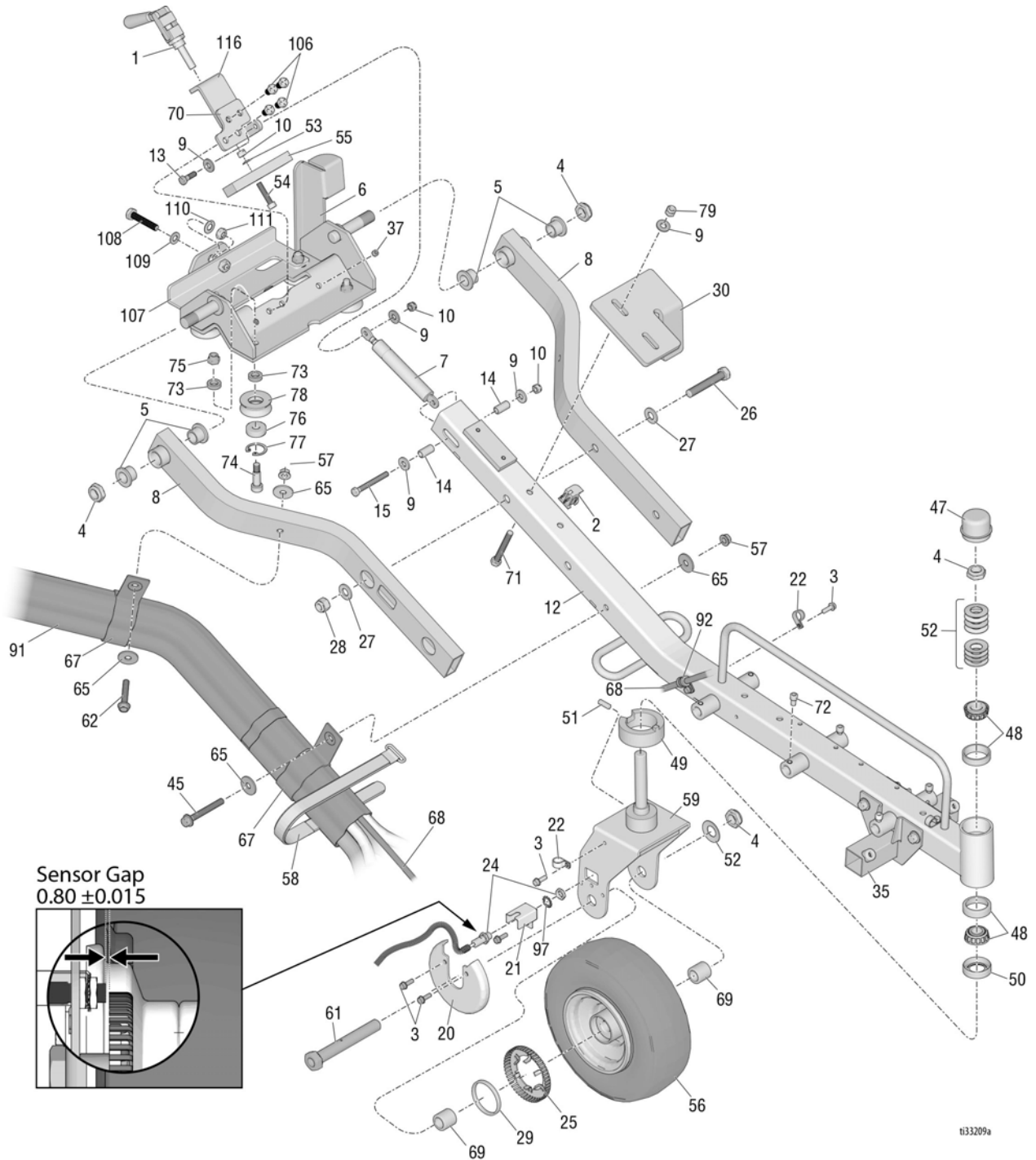
ti33216a

Parts List - Gun Arm 25M708, 25M709

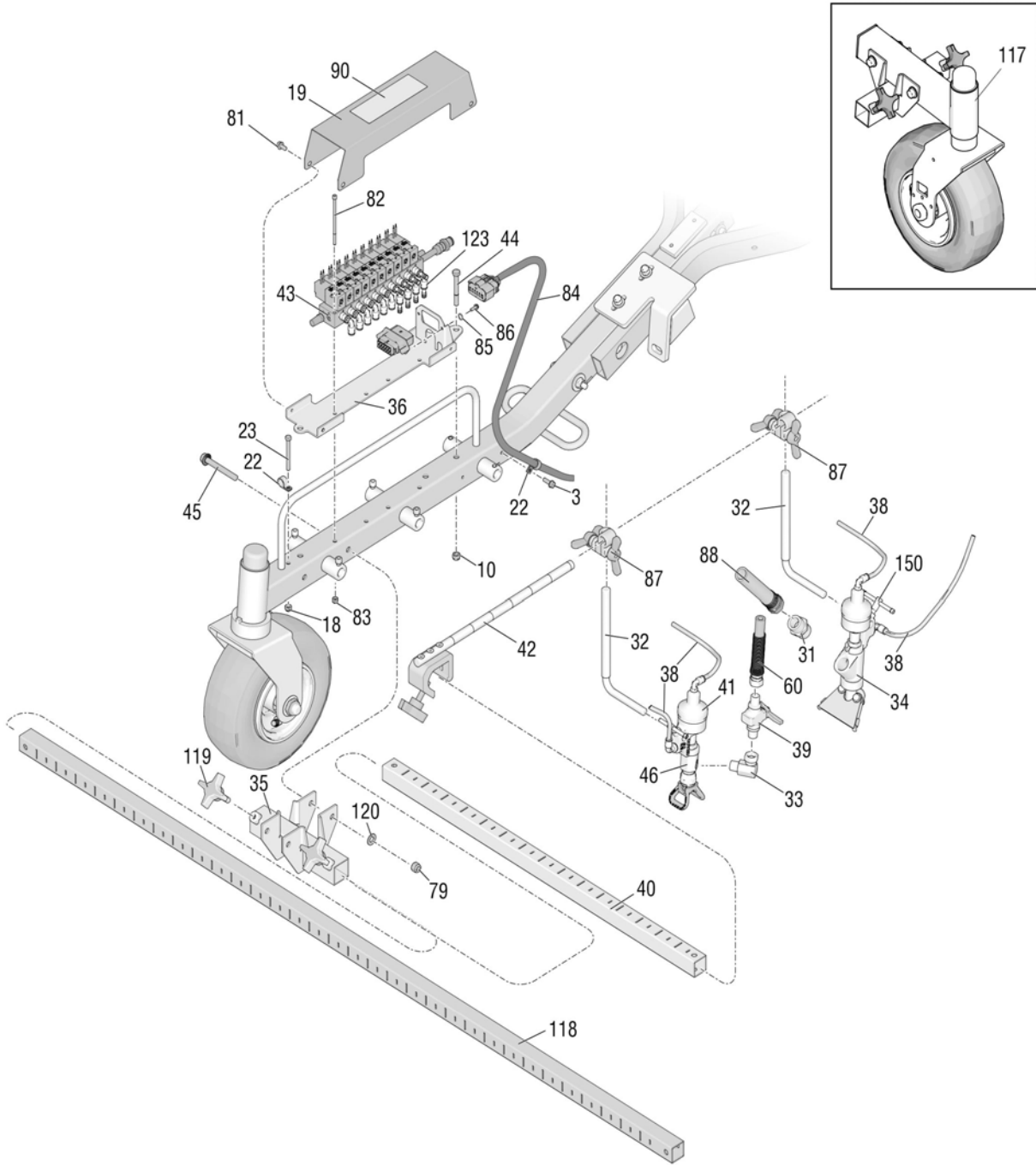
Ref.	Part	Description	Qty.	Ref.	Part	Description	Qty.
1	113304	CLAMP, cam over	1	55	191114	CLAMP, retaining	1
2	116833	SWITCH, safety	1	56	24J541	WHEEL, pneumatic <i>includes 525, 529</i>	1
3	260212	SCREW, hex washer hd, thd form	6	57	112958	NUT, hex, flanged	2
4	112405	NUT, lock	4	58	114271	STRAP, retaining	8
5	113454	BUSHING, oilite	4	59	24F988	FORK, caster	1
6	17T833	BRACKET, traverse	1	60	124884	HOSE, coupled, 3/8 in. X 20 ft (Model 25M709)	3
7	113600	SHOCK, gas	1		124884	HOSE, coupled, 3/8 in. X 20 ft (Model 25M708)	2
8	238321	ARM, wishbone	2	61	113471	SCREW, cap, hex HD	1
9	100023	WASHER, flat	6	62	111194	SCREW, cap, flanged	1
10	111040	NUT, lock, insert, nylock, 5/16	5	65	108851	WASHER, plain	4
12	25D287	BEAM, boom	1	67	131275	STRAP, velcro	2
13	100450	SCREW, cap hex HD	1	68	16G833	HOSE, air	1
14	191264	SPACER, gas, spring	2	69	193658	SPACER, seal	2
15	113664	SCREW, cap, hex HD	1	70	17T849	BRACKET, shock	1
18	102040	NUT, lock, hex	1	71	100454	SCREW, cap hex HD	2
19	17U202	COVER, solenoid	1	72	116940	SCREW, cap, sh, 5/16-18	4
20	16G057	COVER, sprocket	1	73	194491	SPACER	6
21	16G052	SHIELD, sensor	1	74	114986	BOLT, shoulder, sch	4
22	113491	CLAMP, wire	3	75	114987	NUT, lock	4
23	103547	SCREW, mach, hex HD	1	76	113326	BEARING	4
24	15E943	SENSOR, distance	1	77	113598	RING, retaining, internal	4
25		GEAR, signal	1	78	191112	WHEEL, traverse	4
26	101147	SCREW, cap, hex HD	2	79	101566	NUT, lock	4
27	109570	WASHER, plain	4	81	113161	SCREW, flange, hex HD	4
28	801020	NUT, lock, hex	2	82	124983	SCREW, cap, sch, 10-24 X 3.75	2
29		RING, sensor gear	1	83	116969	NUT, lock	2
30	24F985	BRACKET, stowing	1	84	131237	CABLE, control	1
31	111834	NIPPLE, pipe, hex	2	85	100079	WASHER, lock, spring	2
32	191164	ARM, mtg, gun	4	86	16X731	SCREW, plastite, #8 hex wash HD	2
33	207123	UNION, swivel, 90 deg (Model 25M709)	3	87	24Y645	KIT, clamp, double wingnut	4
	207123	UNION, swivel, 90 deg (Model 25M708)	2	88	16G167	HOSE, bead, 3/4 in., clear	2
34	24G979	GUN, spray, bead	2	▲90	16H058	LABEL, injection hazard iso symb	1
35	17T854	BRACKET, gun arm	1	91	131276	SLEEVE, durawrap velcro	1
36	17U198	BRACKET, mounting, solenoid	1	92	125220	CLAMP, cushion, support, type, loop	1
37	131423	SCREW, set, 3/8-24	4	97	116287	WASHER, SST, external, starwasher	1
38	16U273	HOSE, air	8	103	LL5335	TIP, spray, RAC 5, striping (not shown)	2
39	24F607	VALVE, ball, 3/8 NPT, e-nickel PLT (Model 25M709)	3	104	LL5439	TIP, spray, RAC 5, striping (not shown)	2
	24F607	VALVE, ball, 3/8 NPT, e-nickel PLT (Model 25M708)	2	105	LL5643	TIP, spray, RAC 5, striping (not shown)	2
40	17U173	ARM, extension, gun	1	106	131424	SCREW, cap, 3/8-24	4
41	24G980	GUN, spray, auto	2	107	17T831	BRACKET, adjust rollers	1
42	17J424	BAR, height, adjustment, assy.	2	108	131427	SCREW, cap, M10 x 1.5	1
43	17U775	VALVE, air solenoid	1	109	16Y267	WASHER, flat, M10	1
44	802277	SCREW, machine	2	110	131425	WASHER, belleville	1
45	125626	SCREW, hex, flanged	3	111	109209	NUT, lock, hex, M10	1
46	101748	PLUG, pipe SST (Model 25M709)	1	112	238663	ORIFICE, bead, .203 (not shown)	2
	101748	PLUG, pipe SST (Model 25M708)	2	113	238664	ORIFICE, bead, .281 (not shown)	2
47	113453	CAP, dust	1	114	238665	ORIFICE, bead, .344 (not shown)	2
48	113485	BEARING, cup/cone	2	115	17V103	ORIFICE, brad, .170 (not shown)	2
49	191102	COLLAR, stop	1	116	17T843	BRACKET, truss	1
50	113484	SEAL, grease	1	119	108471	KNOB, pronged	2
51	107211	PIN, dowel	1	120	100731	WASHER	2
52	112825	SPRING, belleville	9	123	125424	FITTING, tube, PTC, 1/4"	4
53	113451	WASHER, wave	2	150	25D347	KIT, toolless, handle, guns	4
54	113467	SCREW, cap, socket HD	1				

▲ Replacement Danger and Warning labels, tags, and cards are available at no cost.

Parts - Gun Arm 25M710



Parts - Gun Arm 25M710 (continued)



T133223A

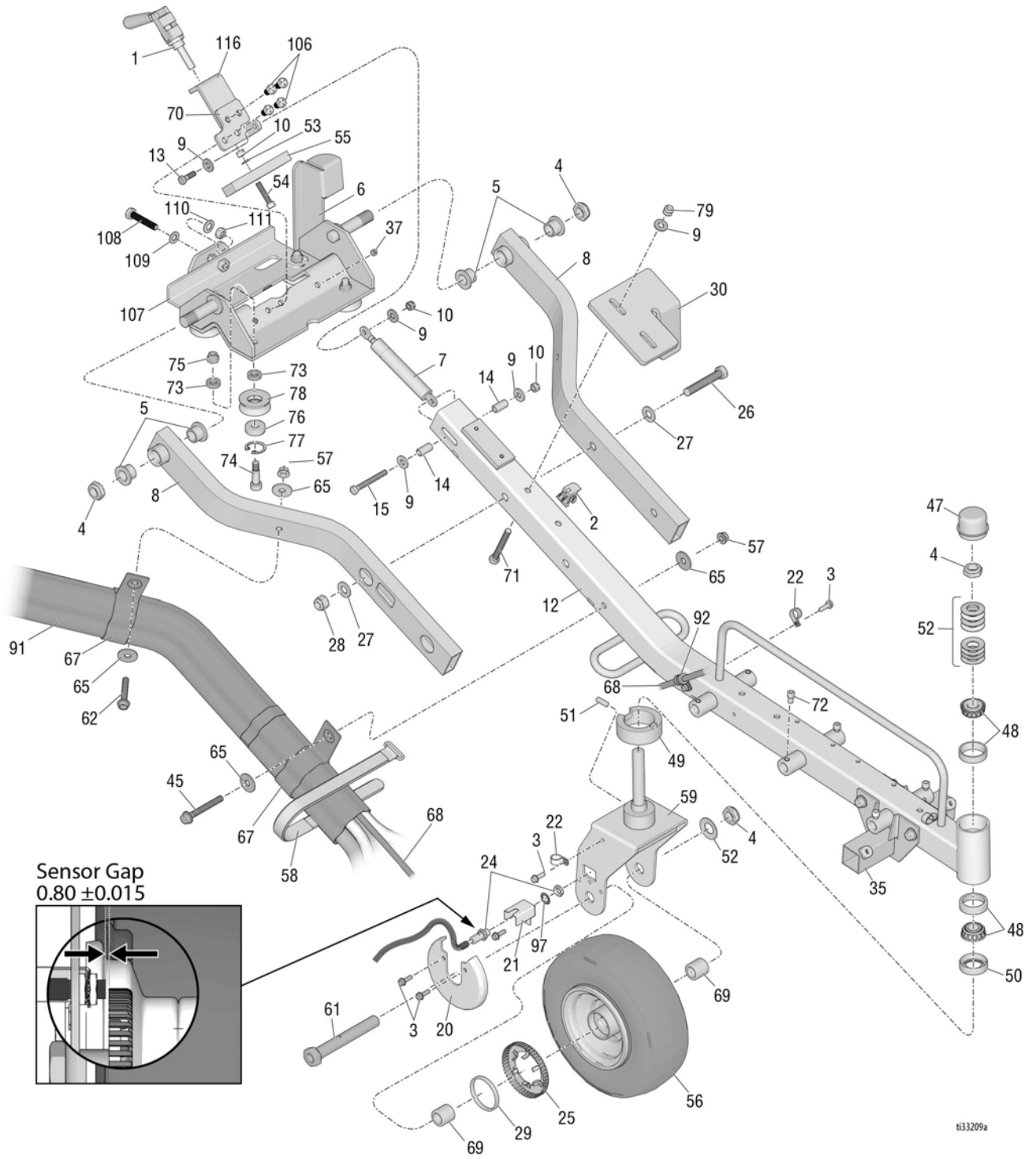
Parts List - Gun Arm 25M710

Ref.	Part	Description	Qty.	Ref.	Part	Description	Qty.
1	113304	CLAMP, cam over	1	59	24F988	FORK, caster	1
2	116833	SWITCH, safety	1	60	124884	HOSE, coupled, 3/8 in. X 20 ft	3
3	260212	SCREW, hex washer hd, thd form	6	61	113471	SCREW, cap, hex HD	1
4	112405	NUT, lock	4	62	111194	SCREW, cap, flanged	1
5	113454	BUSHING, oilite	4	65	108851	WASHER, plain	4
6	17T833	BRACKET, traverse	1	67	131275	STRAP, velcro	2
7	113600	SHOCK, gas	1	68	16G833	HOSE, air	1
8	238321	ARM, wishbone	2	69	193658	SPACER, seal	2
9	100023	WASHER, flat	6	70	17T849	BRACKET, shock	1
10	111040	NUT, lock, insert, nylock, 5/16	5	71	100454	SCREW, cap hex HD	2
12	25D287	BEAM, boom	1	72	116940	SCREW, cap, sh, 5/16-18	4
13	100450	SCREW, cap hex HD	1	73	194491	SPACER	6
14	191264	SPACER, gas, spring	2	74	114986	BOLT, shoulder, sch	4
15	113664	SCREW, cap, hex HD	1	75	114987	NUT, lock	4
18	102040	NUT, lock, hex	1	76	113326	BEARING	4
19	17U202	COVER, solenoid	1	77	113598	RING, retaining, internal	4
20	16G057	COVER, sprocket	1	78	191112	WHEEL, traverse	4
21	16G052	SHIELD, sensor	1	79	101566	NUT, lock	4
22	113491	CLAMP, wire	3	81	113161	SCREW, flange, hex HD	4
23	103547	SCREW, mach, hex HD	1	82	124983	SCREW, cap, sch, 10-24 X 3.75	2
24	15E943	SENSOR, distance	1	83	116969	NUT, lock	2
25		GEAR, signal	1	84	131237	CABLE, control	1
26	101147	SCREW, cap, hex HD	2	85	100079	WASHER, lock, spring	2
27	109570	WASHER, plain	4	86	16X731	SCREW, plastite, #8 hex wash HD	2
28	801020	NUT, lock, hex	2	87	24Y645	KIT, clamp, double wingnut	6
29		RING, sensor gear	1	88	16G167	HOSE, bead, 3/4 in., clear	3
30	24F985	BRACKET, stowing	1	▲90	16H058	LABEL, injection hazard iso symb	1
31	111834	NIPPLE, pipe, hex	3	91	131276	SLEEVE, durawrap velcro	1
32	191164	ARM, mtg, gun	6	92	125220	CLAMP, cushion, support, type, loop	1
33	207123	UNION, swivel, 90 deg	3	97	116287	WASHER, SST, external, starwasher	1
34	24G979	GUN, spray, bead	3	103	LL5335	TIP, spray, RAC 5, striping (not shown)	3
35	17T854	BRACKET, gun, arm, bar	1	104	LL5439	TIP, spray, RAC 5, striping (not shown)	3
36	17U198	BRACKET, mounting, solenoid	1	105	LL5643	TIP, spray, RAC 5, striping (not shown)	3
37	131423	SCREW, set, 3/8-24	4	106	131424	SCREW, cap, 3/8-24	4
38	16U273	HOSE, air	12	107	17T831	BRACKET, adjust rollers	1
39	24F607	VALVE, ball, 3/8 NPT, e-nickel PLT	3	108	131427	SCREW, cap, M10 x 1.5	1
40	17U173	ARM, extension, 32 in.	1	109	16Y267	WASHER, flat, M10	1
41	24G980	GUN, spray, auto	3	110	131425	WASHER, belleville	1
42	17J424	BAR, height, adjustment, assy.	3	111	109209	NUT, lock, hex, M10	1
43	17U196	VALVE, air solenoid, 10 position	1	112	238663	ORIFICE, bead, .203 (not shown)	3
44	802277	SCREW, machine	2	113	238664	ORIFICE, bead, .281 (not shown)	3
45	125626	SCREW, hex, flanged	3	114	238665	ORIFICE, bead, .344 (not shown)	3
46	101748	PLUG, pipe SST	3	115	17V103	ORIFICE, brad, .170 (not shown)	3
47	113453	CAP, dust	1	116	17T843	BRACKET, truss	1
48	113485	BEARING, cup/cone	2	117*	17T824	WHEEL, support, assy	1
49	191102	COLLAR, stop	1	118	17T825	ARM, extension, 67"	1
50	113484	SEAL, grease	1	119	108471	KNOB, pronged	2
51	107211	PIN, dowel	1	120	100731	WASHER	2
52	112825	SPRING, belleville	9	122	17C065	TUBING, air, 1/4" O.D.	2
53	113451	WASHER, wave	2	123	125424	FITTING, tube, PTC 1/4"	8
54	113467	SCREW, cap, socket HD	1	150	25D347	KIT, toolless, handle, guns	6
55	191114	CLAMP, retaining	1				
56	24J541	WHEEL, pneumatic <i>includes 525, 529</i>	1				
57	112958	NUT, hex, flanged	2				
58	114271	STRAP, retaining	8				

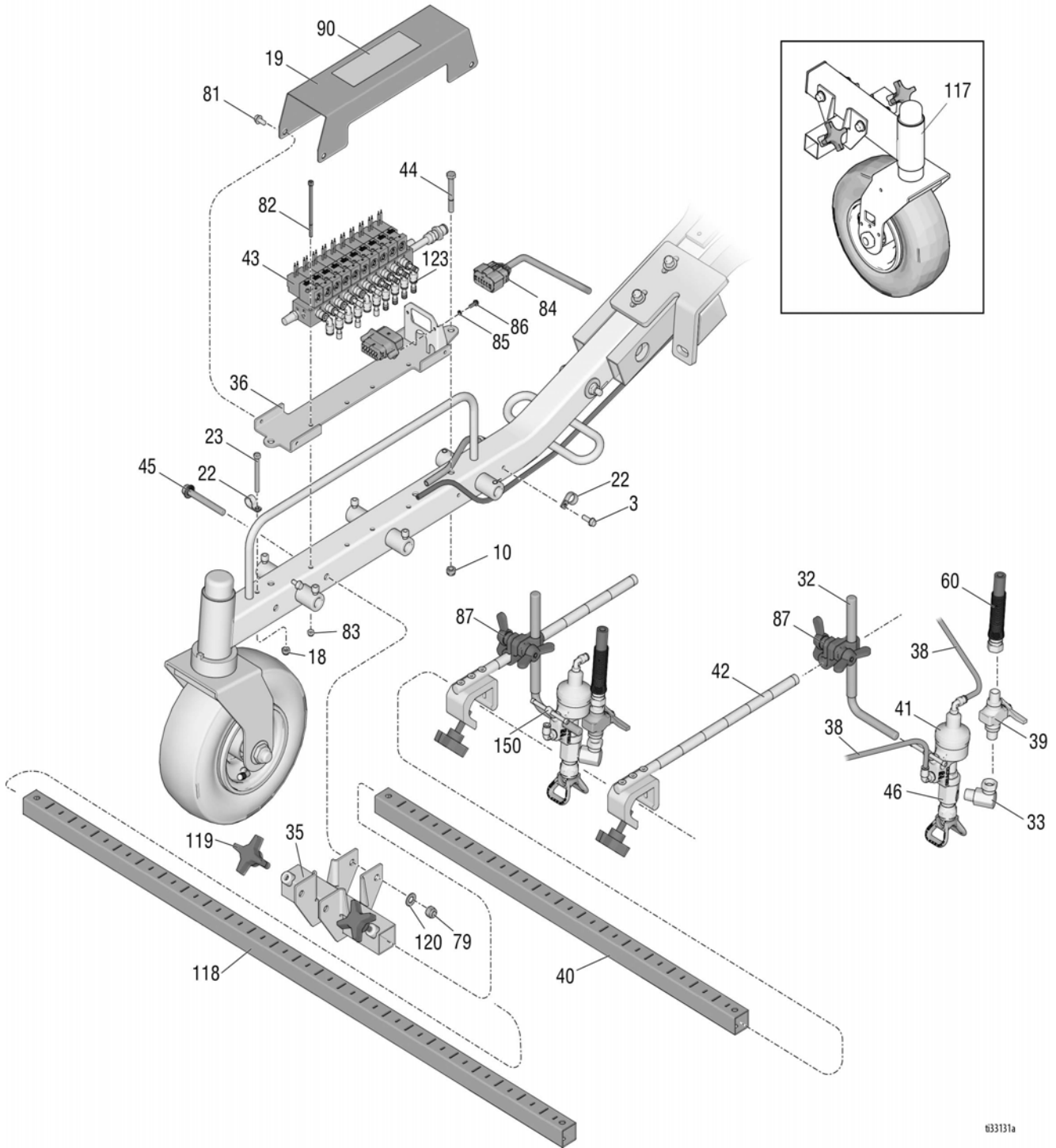
* See page 34.

▲ Replacement Danger and Warning labels, tags, and cards are available at no cost.

Parts - Gun Arm 25D932



Parts - Gun Arm 25D932 (continued)



633131a

Parts - Gun Arm 25D932 (continued)

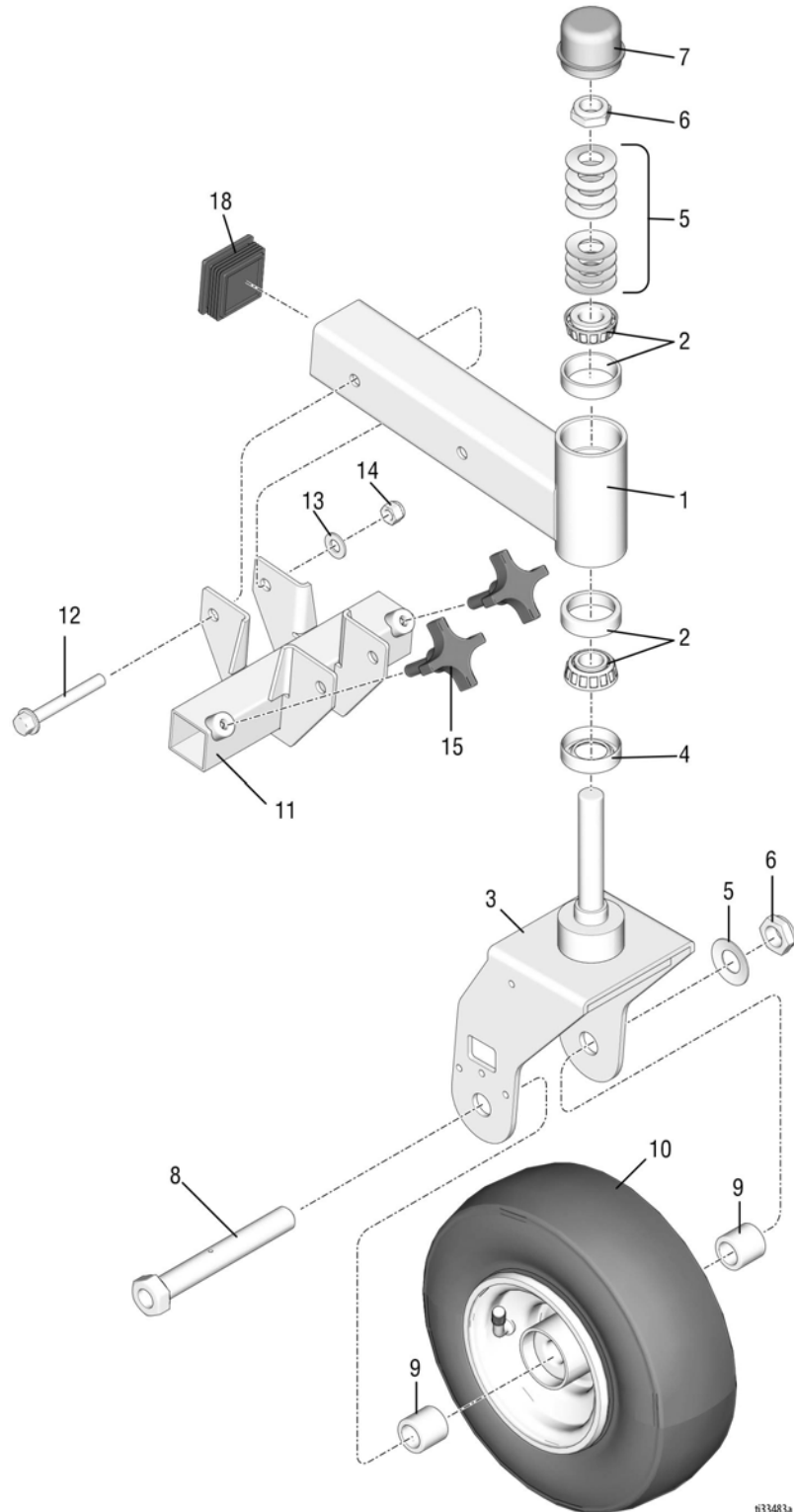
Ref.	Part	Description	Qty.	Ref.	Part	Description	Qty.
1	113304	CLAMP	1	58	114271	STRAP, retaining	8
2	116833	SWITCH, safety, seat	1	59	24F988	FORK, caster	1
3	260212	SCREW, hex washer hd, thd form	6	60	124884	HOSE, coupled, 3/8" x 22'	3
4	112405	NUT, lock	4	61	113471	SCREW, cap, hex hd	1
5	113454	BUSHING	4	62	111194	SCREW, cap flang hd	1
6	17T833	BRACKET, traverse	1	65	108851	WASHER, plain	4
7	113600	SHOCK, gas	1	67	131275	STRAP, velcro hanger	2
8	238321	ARM, wishbone	2	68	16G833	HOSE, air	1
9	100023	WASHER, flat	6	69	193658	SPACER, seal	2
10	111040	NUT, lock, insert, mylock, 5/16	5	70	17T849	BRACKET, shock	1
12	25D287	BEAM boom	1	71	100454	SCREW, cap hex hd	2
13	100450	SCREW, cap, hex hd	1	72	116940	SCREW, cap, sh, 5/16-18	4
14	191264	SPACER, gas, spring	2	73	194491	SPACER	6
15	113664	SCREW, cap, hex hd	1	74	114986	BOLT, shoulder, sch	4
18	102040	NUT, lock, hex	1	75	114987	NUT, lock	4
19	17U202	COVER, solenoid	1	76	113326	BEARING	4
20	16G057	COVER, sprocket	1	77	113598	RING, retaining, internal	4
21	16G052	SHIELD, sensor	1	78	191112	WHEEL, traverse	4
22	113491	CLAMP, wire	3	79	101566	NUT, lock	4
23	103547	SCREW, mach, hex hd	1	81	113161	SCREW, flange, hex hd	4
24	15E943	SENSOR, distance	1	82	124983	SCREW, cap, sch, 10-24 x 3.75	2
25		GEAR, signal	1	83	116969	NUT, lock	2
26	101147	SCREW, cap, hex hd	2	84	131237	CABLE, control, 14 conductor	1
27	109570	WASHER, plain	4	85	100079	WASHER, lock, spring	2
28	801020	NUT, lock, hex	2	86	16X731	SCREW, plastite	2
29		RING, sensor, gear	1	87	24Y645	KIT, clam, double wingnut	3
30	24F985	BRACKET, stowing	1	90▲	16H058	LABEL, warning, iso, injection	1
32	191164	ARM, gun	3	91	131276	SLEEVE	1
33	207123	UNION, swivel, 90°	3	92	125220	CLAMP, cushion, support	1
35	17T854	BRACKET, gun arm weldment	1	97	116287	WASHER, sst, external	1
36	17U198	BRACKET, mounting	1	103	LL5335	TIP, spray, RAC 5, striping (not shown)	3
37	131423	SCREW, set, 3/8-24 thread	4	104	LL5439	TIP, spray, RAC 5, striping (not shown)	3
38	16U273	HOSE, pneumatic	6	105	LL5643	TIP, spray, RAC 5, striping (not shown)	3
39	24F607	VALVE, ball, 3/8 npt	3	106	131424	SCREW, cap, 3/8-24 x .50	4
40	17U173	ARM, extension, gun	1	107	17T831	BRACKET, angle	1
41	24G980	GUN, spray, auto	3	108	131427	SCREW, cap, M10 x 1.5mm	1
42	17J424	BAR, height adjustment	3	109	16Y267	WASHER	1
43	17U196	VALVE, air solenoid	1	110	131425	WASHER, belleville	1
44	802277	SCREW, machine	2	111	109209	NUT, lock, hex	1
45	125626	SCREW, hex hd, flanged	3	116	17T843	BRACKET, truss	1
46	101748	PLUG, pipe sst	3	117*	17T824	WHEEL, support, assembly	1
47	113453	CAP, dust	1	118	17T825	ARM, extension, gun, long	1
48	113485	BEARING, cup	2	119	108471	KNOB, pronged	2
49	191102	COLLAR, stop	1	120	100731	WASHER	2
50	113484	SEAL, grease	1	122	17C065	TUBING, air, 1/4" OD (not shown)	2
51	107211	PIN, dowel	1	123	125424	PLUG, PTC, 1/4"	6
52	112825	WASHER, belleville	9	150	25D347	KIT, toolless, handle, gun	3
53	113451	WASHER, wave	2				
54	113467	SCREW, cap, socket hd	1				
55	191114	CLAMP, retaining	1				
56	113479	WHEEL, pneumatic (includes 25, 29)	1				
57	112958	NUT, hex, flanged	2				

* See page 34

▲ Replacement Danger and Warning labels, tags, and cards are available at no cost.

Parts - Support Wheel 17T824

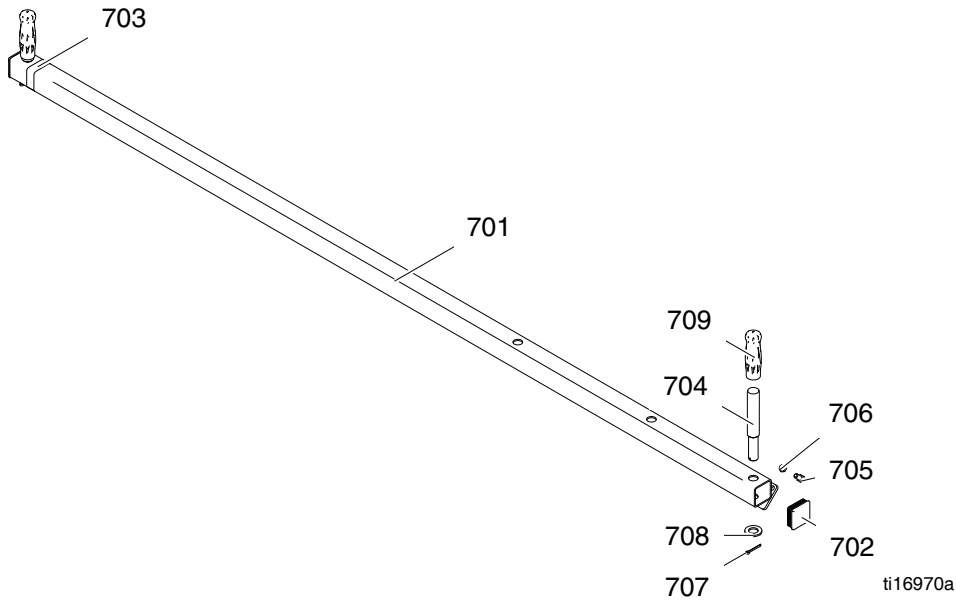
*Included with Gun Arms 25M710 and 25D932



Parts List - Support Wheel 17T824

Ref.	Part	Description	Qty.
1	17T822	WHEEL, support, weldment	1
2	113485	BEARING, cup/cone	2
3	24F988	FORK, caster	1
4	113484	SEAL, grease	1
5	112825	WASHER, belleville	9
6	112405	NUT, lock	2
7	113453	CAP, dust	1
8	113471	SCREW, cap, hex hd	1
9	193658	SPACER, seal	2
10	113479	WHEEL, pneumatic	1
11	17T854	BRACKET, gun arm, weldment	1
12	125626	SCREW, hex hd, flanged	2
13	100731	WASHER	2
14	101566	NUT, lock	2
15	108471	KNOB, pronged	2
18	113682	PLUG, tubing	1

Parts - Gun Arm Beam 24G630



Parts List - Gun Arm Beam 24G630

Ref.	Part	Description	Qty.
701	24G842	BEAM, gun arm, adjustable	1
702	113682	PLUG, tubing	2
703	290159	LABEL, reflective	2
704	191089	HANDLE, beam	2
705	100469	SCREW, cap, hex HD	2
706	125205	NUT, lock, nylon, 3/8-16	2
707	108450	PIN, cotter	2
708	160641	WASHER, packing	2
709	116139	GRIP, handle	2

Graco Standard Warranty

Graco warrants all equipment referenced in this document which is manufactured by Graco and bearing its name to be free from defects in material and workmanship on the date of sale to the original purchaser for use. With the exception of any special, extended, or limited warranty published by Graco, Graco will, for a period of twelve months from the date of sale, repair or replace any part of the equipment determined by Graco to be defective. This warranty applies only when the equipment is installed, operated and maintained in accordance with Graco's written recommendations.

This warranty does not cover, and Graco shall not be liable for general wear and tear, or any malfunction, damage or wear caused by faulty installation, misapplication, abrasion, corrosion, inadequate or improper maintenance, negligence, accident, tampering, or substitution of non-Graco component parts. Nor shall Graco be liable for malfunction, damage or wear caused by the incompatibility of Graco equipment with structures, accessories, equipment or materials not supplied by Graco, or the improper design, manufacture, installation, operation or maintenance of structures, accessories, equipment or materials not supplied by Graco.

This warranty is conditioned upon the prepaid return of the equipment claimed to be defective to an authorized Graco distributor for verification of the claimed defect. If the claimed defect is verified, Graco will repair or replace free of charge any defective parts. The equipment will be returned to the original purchaser transportation prepaid. If inspection of the equipment does not disclose any defect in material or workmanship, repairs will be made at a reasonable charge, which charges may include the costs of parts, labor, and transportation.

THIS WARRANTY IS EXCLUSIVE, AND IS IN LIEU OF ANY OTHER WARRANTIES, EXPRESS OR IMPLIED, INCLUDING BUT NOT LIMITED TO WARRANTY OF MERCHANTABILITY OR WARRANTY OF FITNESS FOR A PARTICULAR PURPOSE.

Graco's sole obligation and buyer's sole remedy for any breach of warranty shall be as set forth above. The buyer agrees that no other remedy (including, but not limited to, incidental or consequential damages for lost profits, lost sales, injury to person or property, or any other incidental or consequential loss) shall be available. Any action for breach of warranty must be brought within two (2) years of the date of sale.

GRACO MAKES NO WARRANTY, AND DISCLAIMS ALL IMPLIED WARRANTIES OF MERCHANTABILITY AND FITNESS FOR A PARTICULAR PURPOSE, IN CONNECTION WITH ACCESSORIES, EQUIPMENT, MATERIALS OR COMPONENTS SOLD BUT NOT MANUFACTURED BY GRACO. These items sold, but not manufactured by Graco (such as electric motors, switches, hose, etc.), are subject to the warranty, if any, of their manufacturer. Graco will provide purchaser with reasonable assistance in making any claim for breach of these warranties.

In no event will Graco be liable for indirect, incidental, special or consequential damages resulting from Graco supplying equipment hereunder, or the furnishing, performance, or use of any products or other goods sold hereto, whether due to a breach of contract, breach of warranty, the negligence of Graco, or otherwise.

FOR GRACO CANADA CUSTOMERS

The Parties acknowledge that they have required that the present document, as well as all documents, notices and legal proceedings entered into, given or instituted pursuant hereto or relating directly or indirectly hereto, be drawn up in English. Les parties reconnaissent avoir convenu que la rédaction du présente document sera en Anglais, ainsi que tous documents, avis et procédures judiciaires exécutés, donnés ou intentés, à la suite de ou en rapport, directement ou indirectement, avec les procédures concernées.

Graco Information

For the latest information about Graco products, visit www.graco.com.

For patent information, see www.graco.com/patents.

TO PLACE AN ORDER, contact your Graco distributor or call 1-800-690-2894 to identify the nearest distributor.

*All written and visual data contained in this document reflects the latest product information available at the time of publication.
Graco reserves the right to make changes at any time without notice.*

Original instructions. This manual contains English. MM 3A5386

Graco Headquarters: Minneapolis

International Offices: Belgium, China, Japan, Korea

GRACO INC. AND SUBSIDIARIES • P.O. BOX 1441 • MINNEAPOLIS MN 55440-1441 • USA
Copyright 2017, Graco Inc. All Graco manufacturing locations are registered to ISO 9001.

www.graco.com

Revision B, July 2019